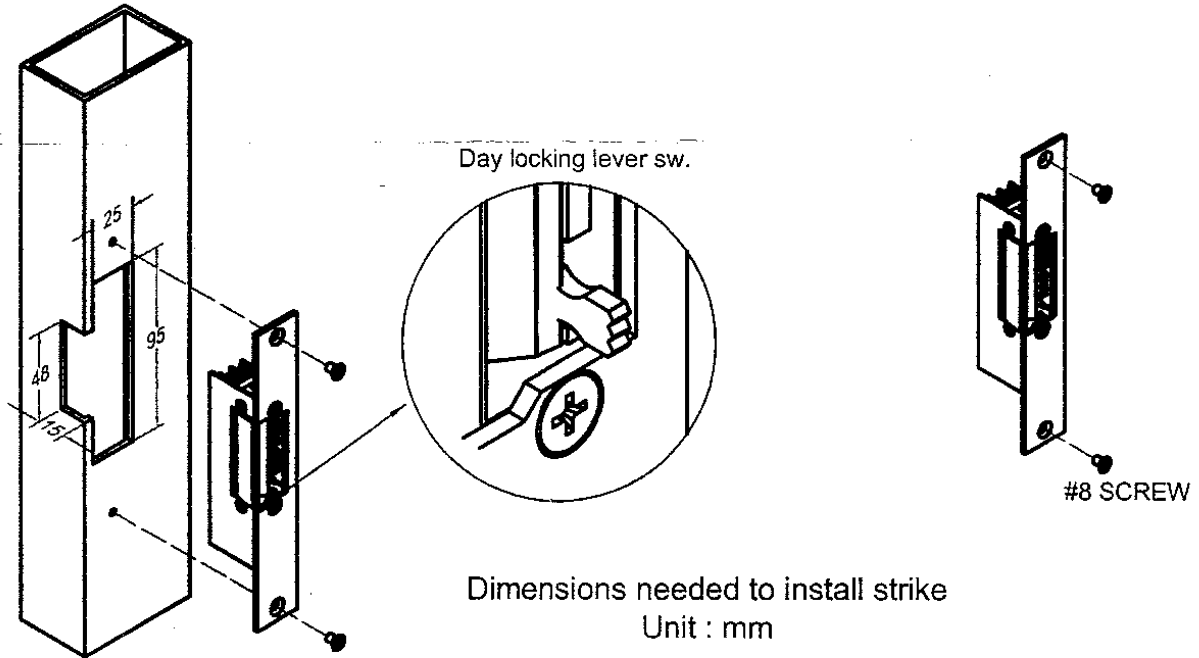


Installing TW165 electric strikes

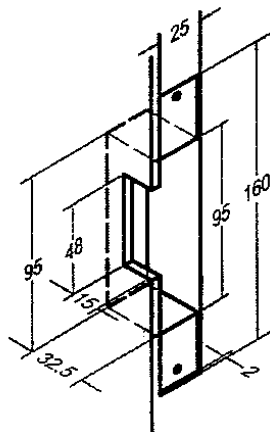
Typical application: For thin door frames

S/S or Aluminum door frame

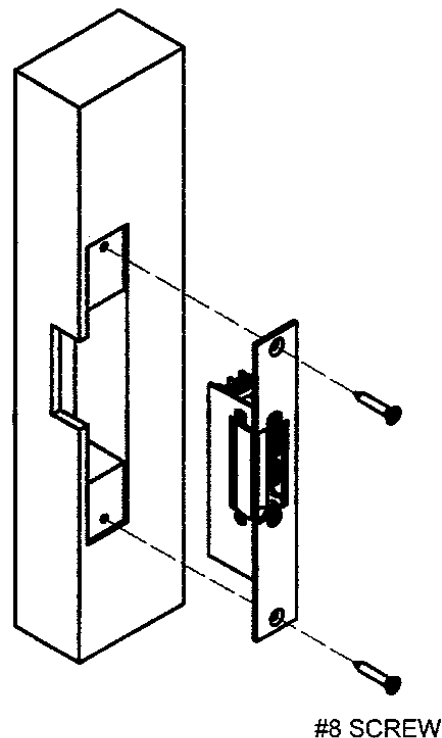


1. Prepare door jamb per drawing.
2. Connect wires coming from the low voltage side of the transformer to terminal block of door strike.
3. Install electric door strike to jamb.
4. Switch the day locking lever to the up position, the strike will be free for access. Switch the lever back, the strike will be back to nonfail safe mode.

Wooden door frame



Dimensions needed to install strike
Unit : mm



Note: Template dimensions not to scale and technical data are subject to change without notice.

Dimensions in millimeters.