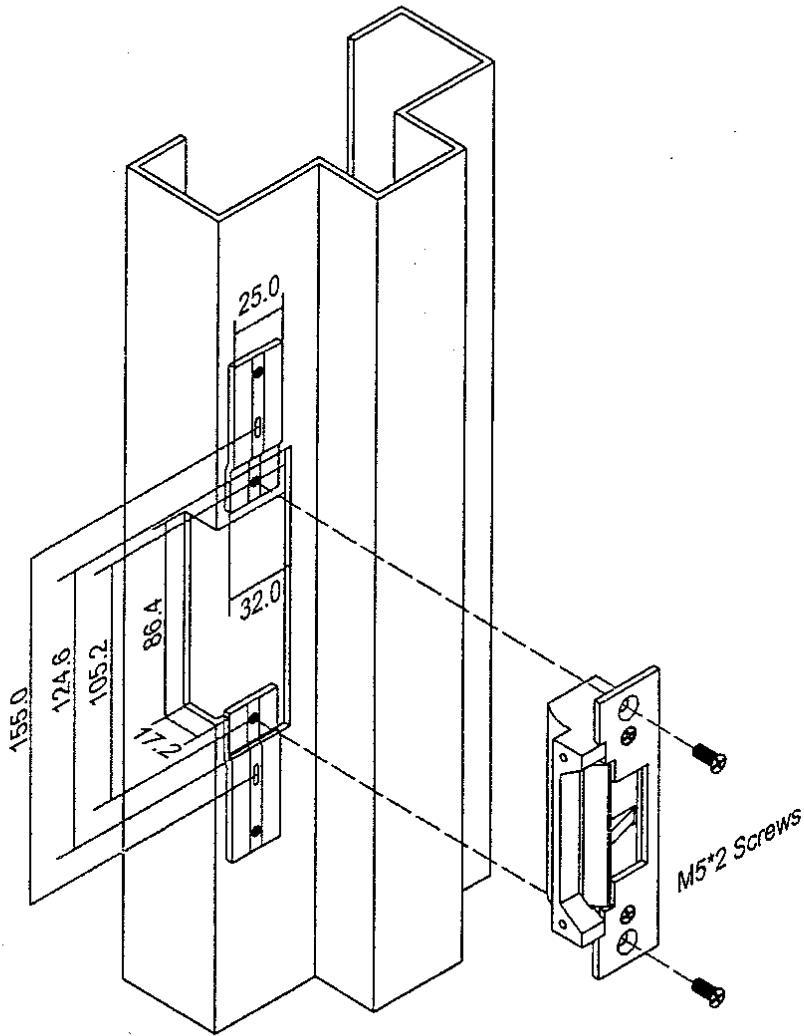
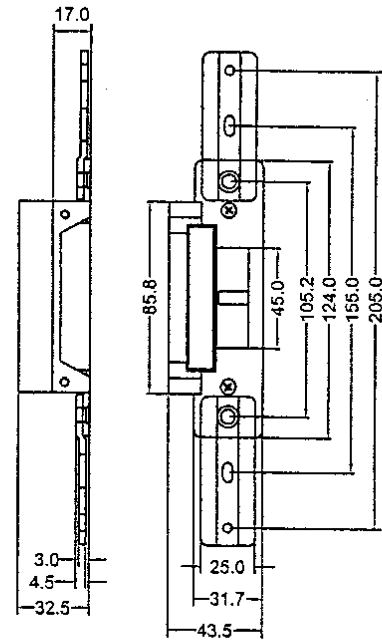


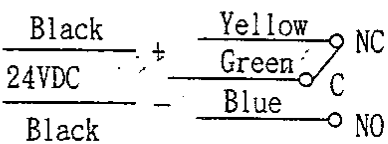
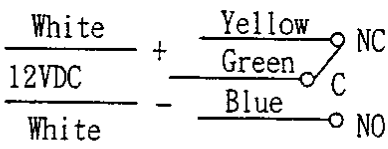
# ● PREPARATION FOR HOLLOW METAL JAMB



# ● DIMENSION



# ● WIRING



# ● SWITCHING FROM NON FAIL-SAFE TO FAIL-SAFE

