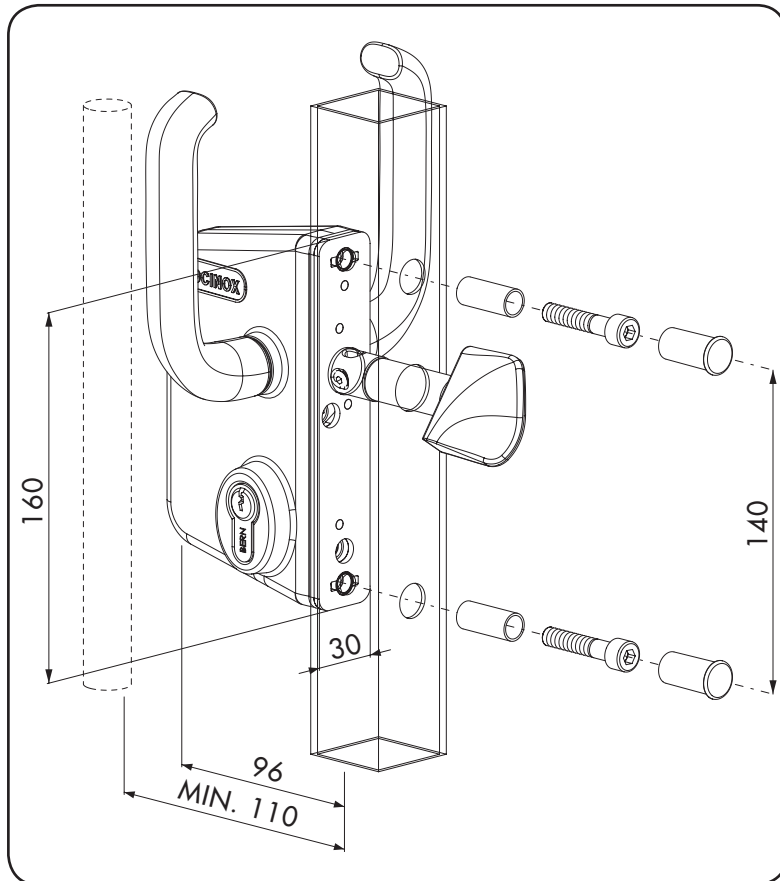
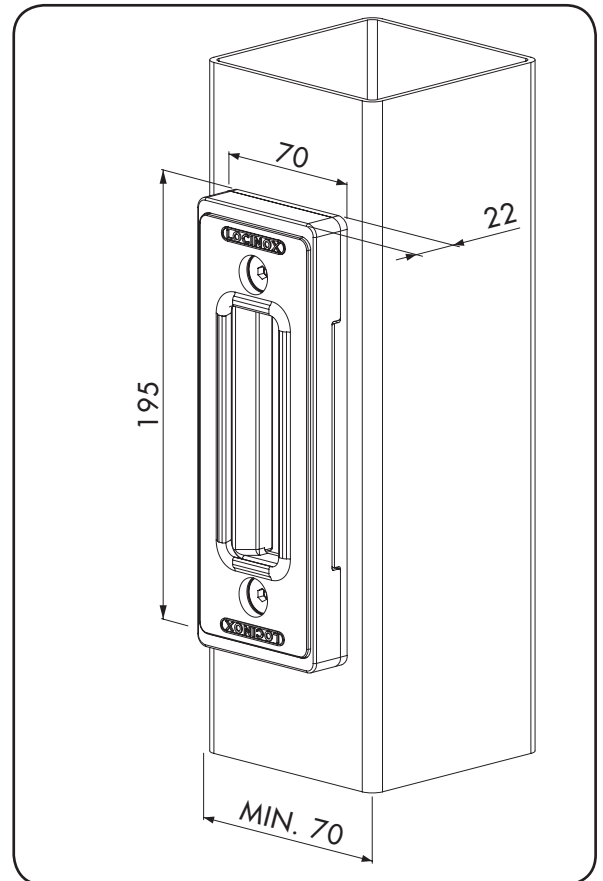


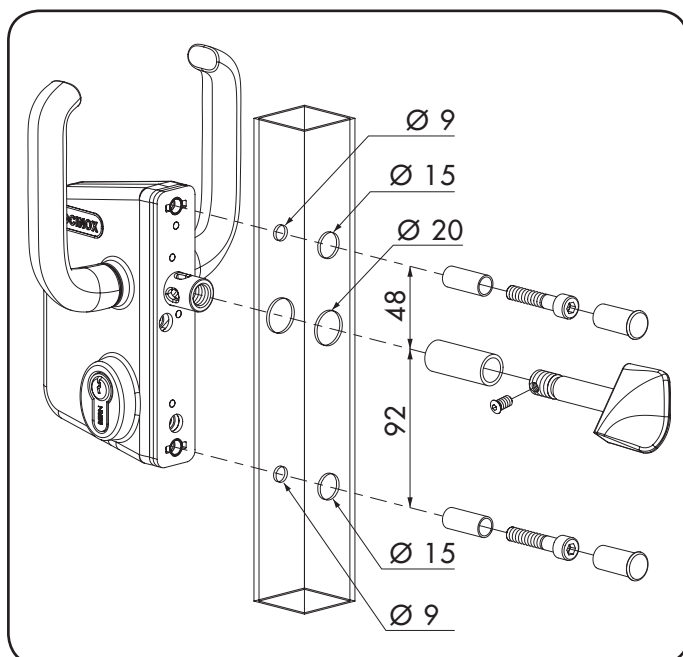
① LSKZ U2 - Dimensions



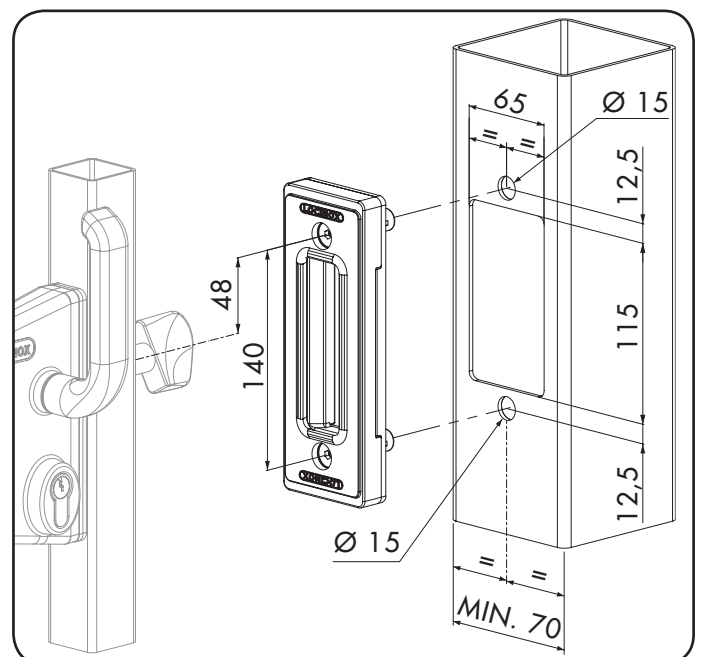
② SSKZ QF - Dimensions



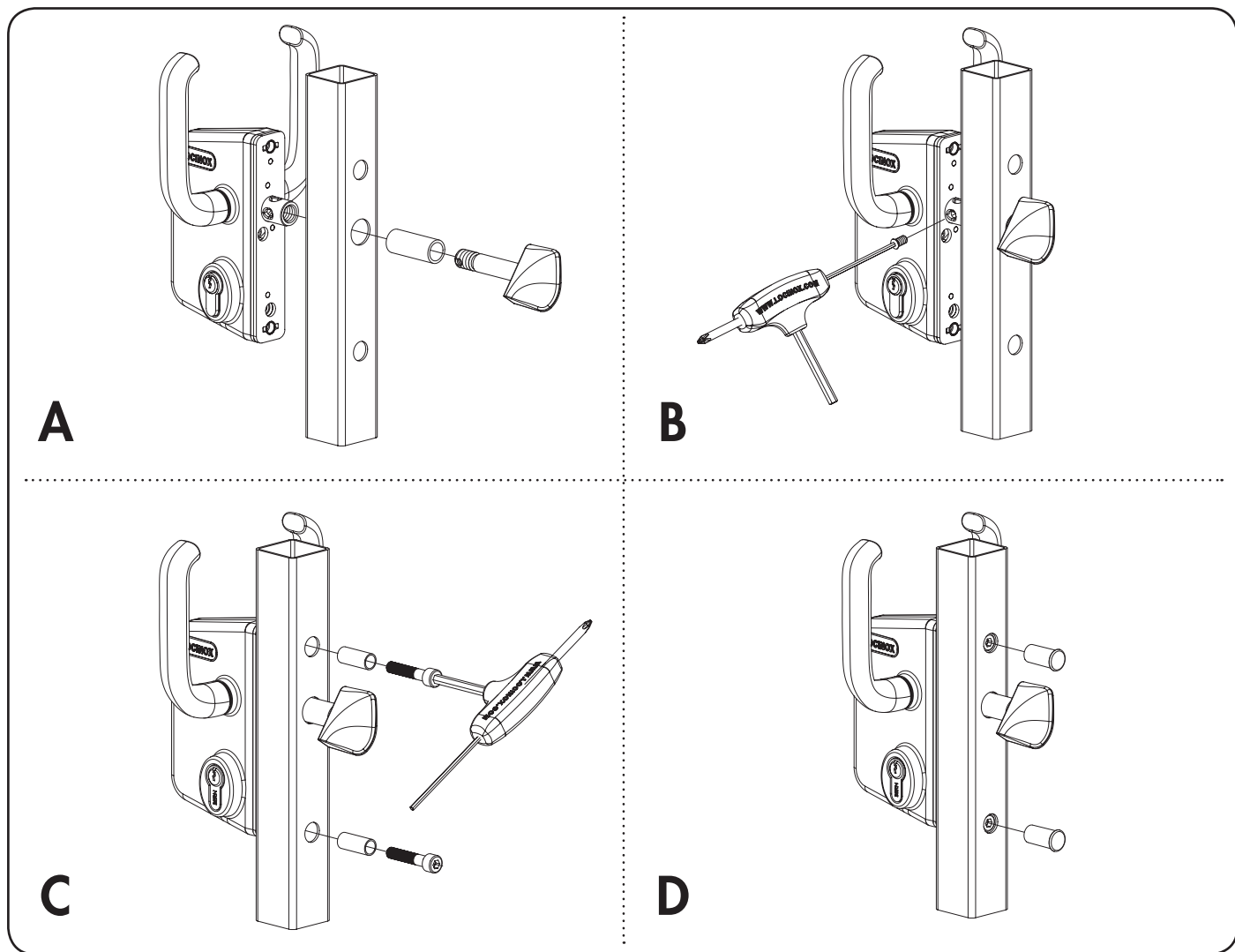
③ Profile preparation LSKZ U2



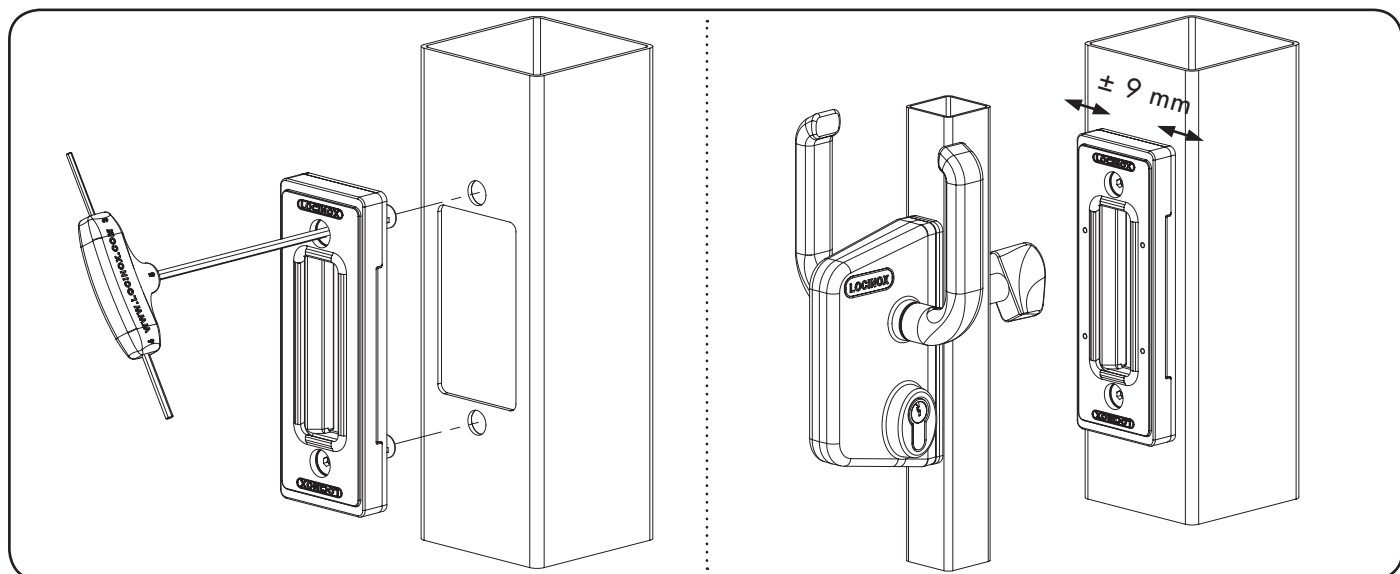
④ Profile preparation SSKZ QF



⑤ Fixing LSKZ U2



⑥ Fixing SSKZ QF



GatesPlus

1300 121 666

www.gatesplus.com.au