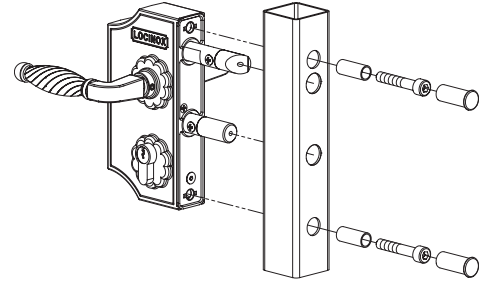


LOCINOX[®]

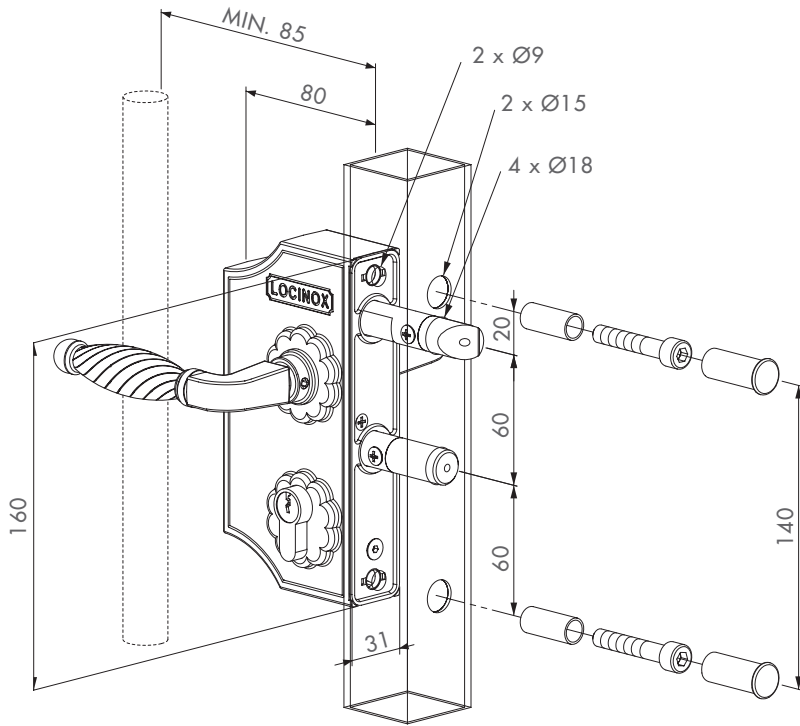
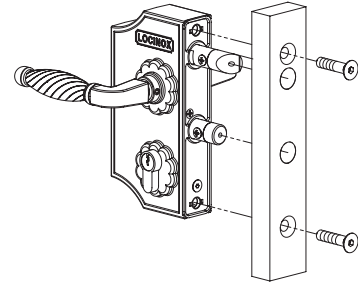
WWW.LOCINOX.COM

CODE: LAKY-F2

Tube mount application

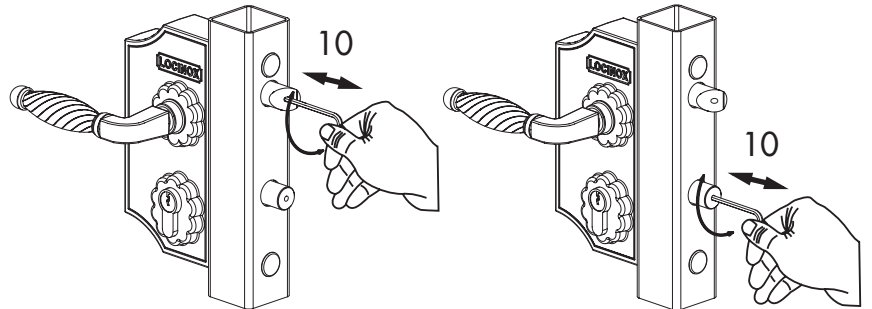
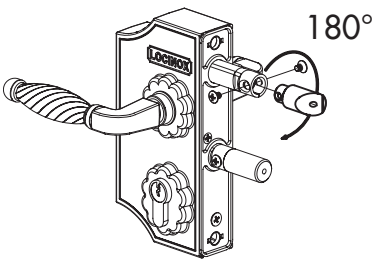


Flat mount application



Left / Right

Throw adjustment 10



Key operated (B) & Throw (A)

Keeper installation drawing

