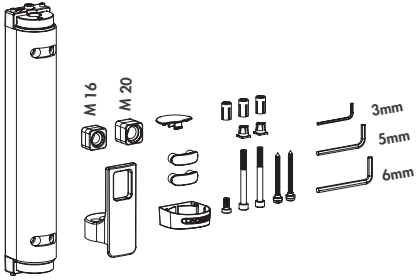
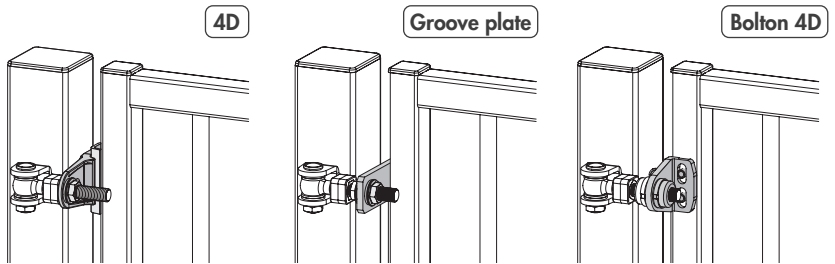


**RHINO**

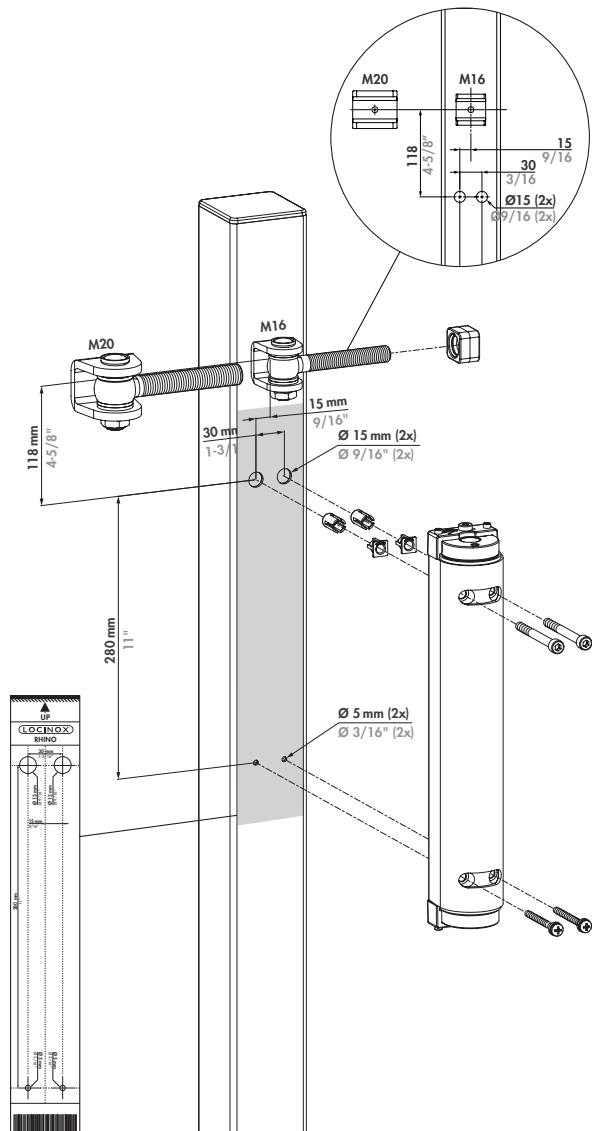
① Package content



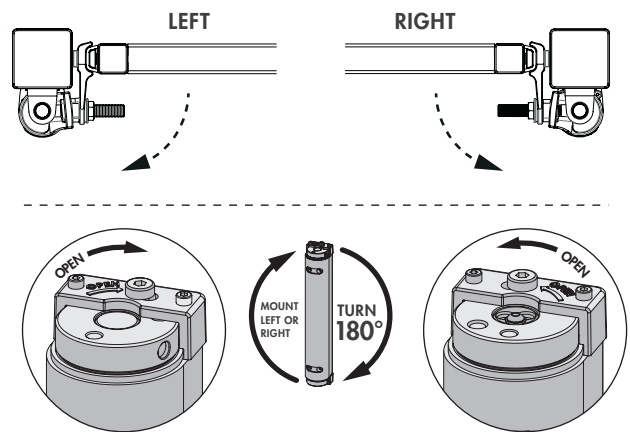
② 180° mounting



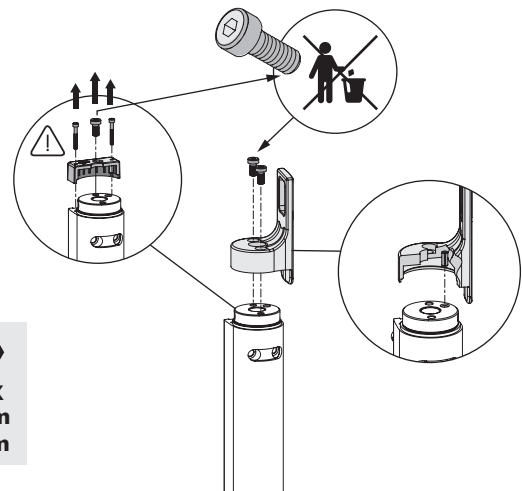
③ Dimensions & drilling template



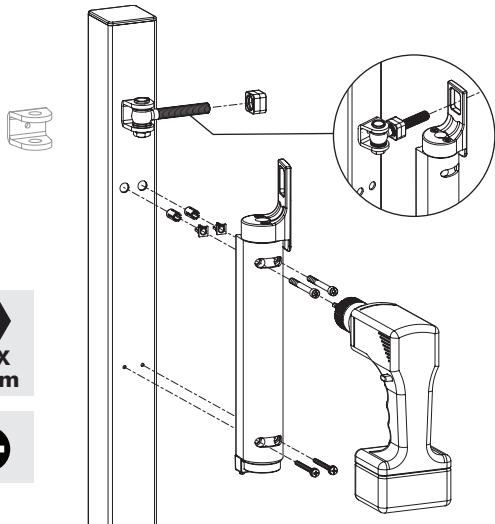
④ Left or right mounting



⑤ Cover gear installation



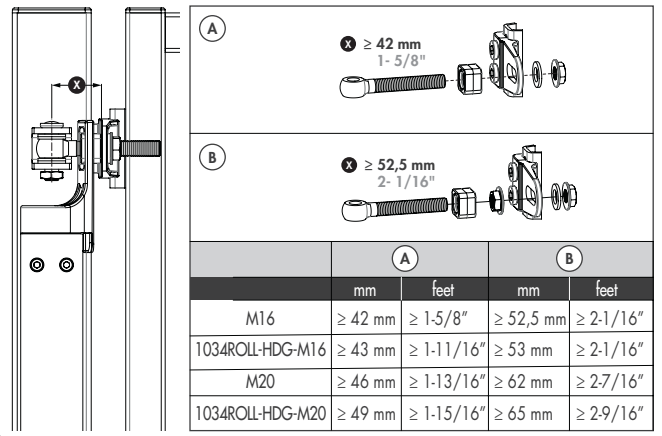
## ⑥ Cover gear installation



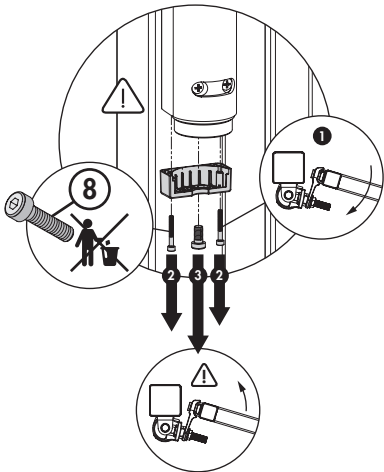
HEX  
4 mm

+

## ⑦ Gate type installation situations

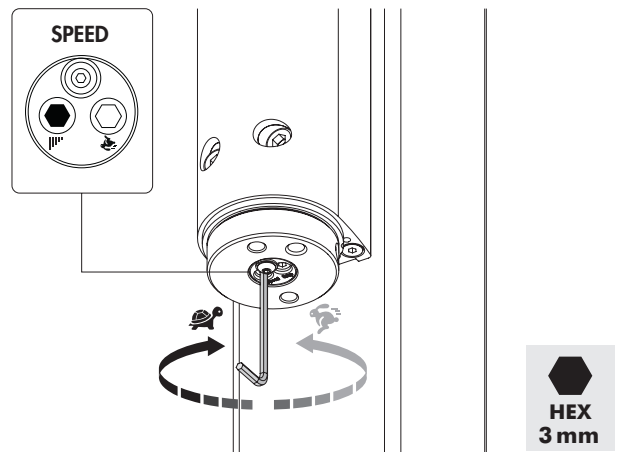


## ⑧ Removing pre-tension fixer



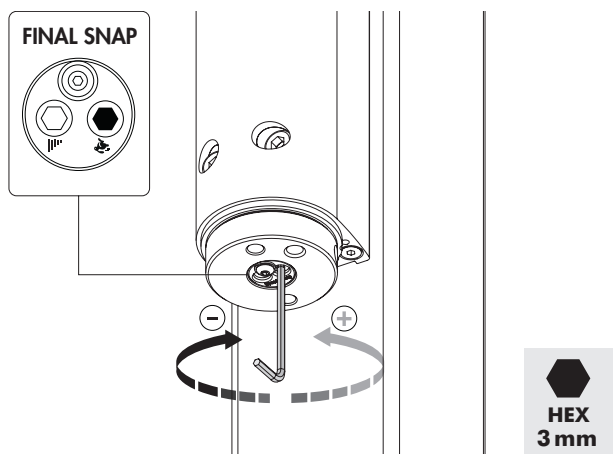
HEX  
3 mm  
5 mm

## ⑨ Adjusting speed



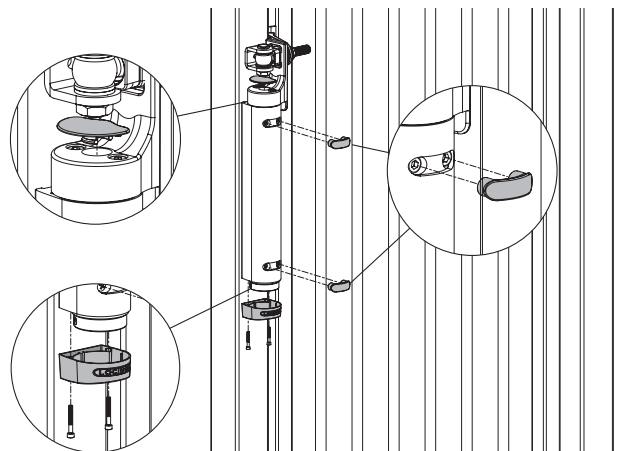
HEX  
3 mm

## ⑩ Adjusting final snap



HEX  
3 mm

## ⑪ Finalising installation



**LOCINOX**<sup>®</sup>  
WWW.LOCINOX.COM

**GatesPlus**  
1300 121 666  
www.gatesplus.com.au

