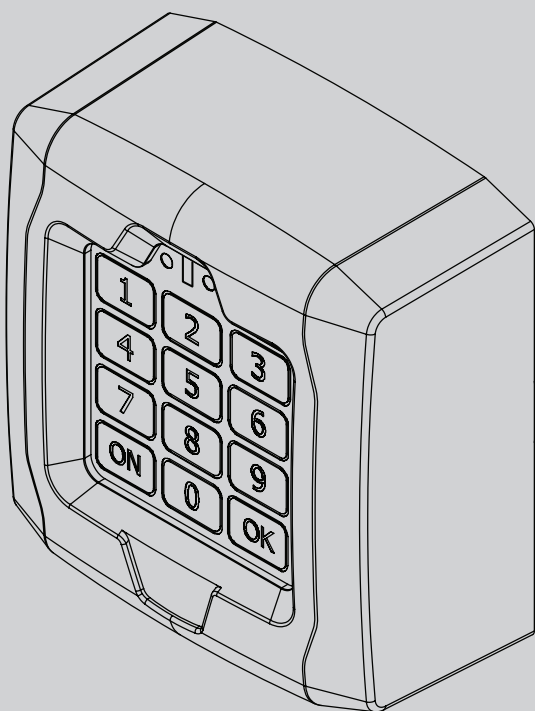




PROGRAMMABLE DIGITAL PUSHBUTTON PANEL



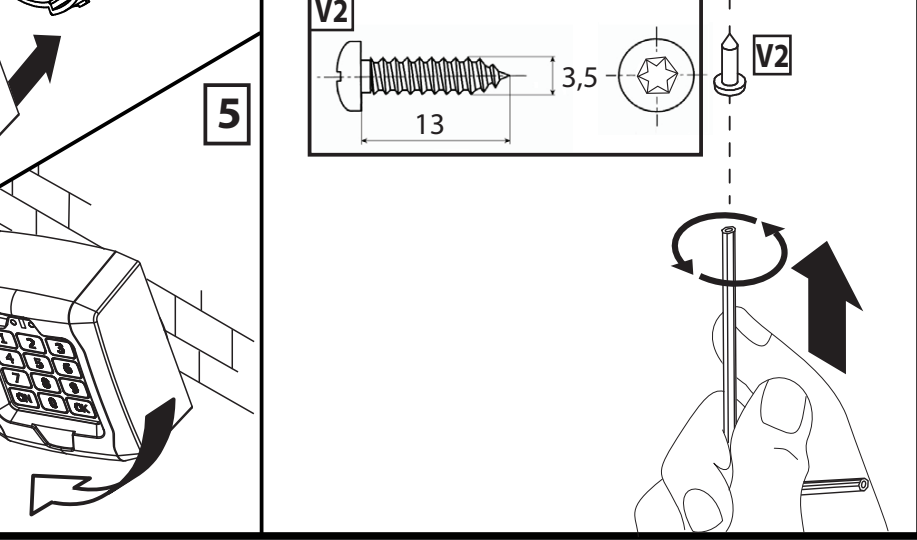
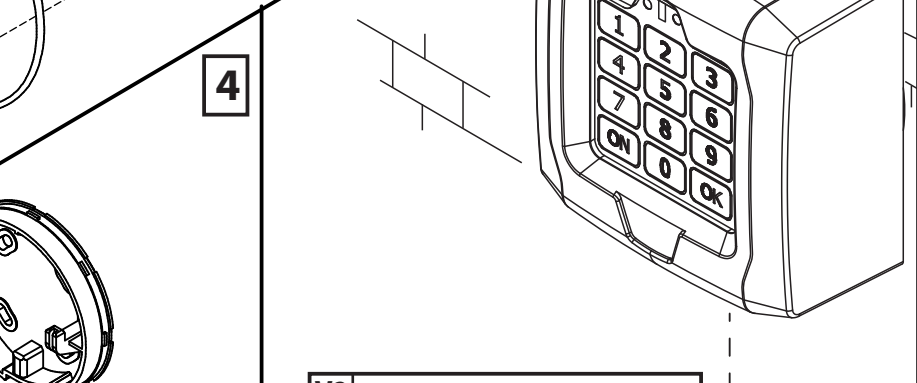
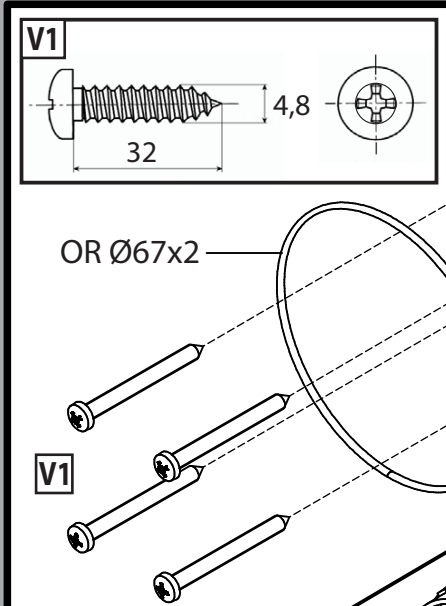
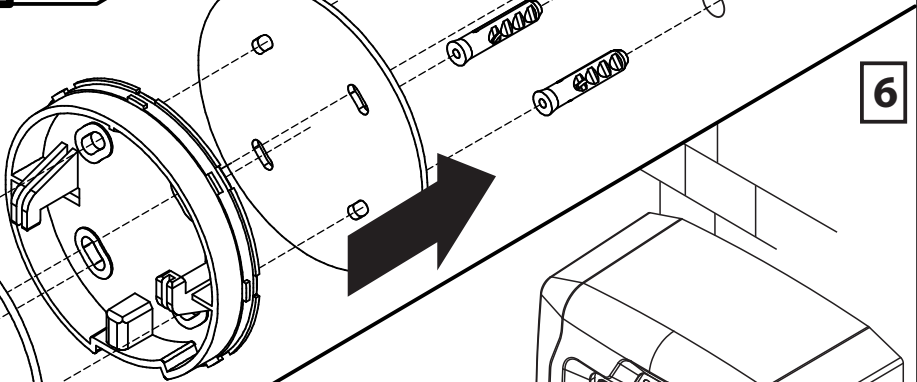
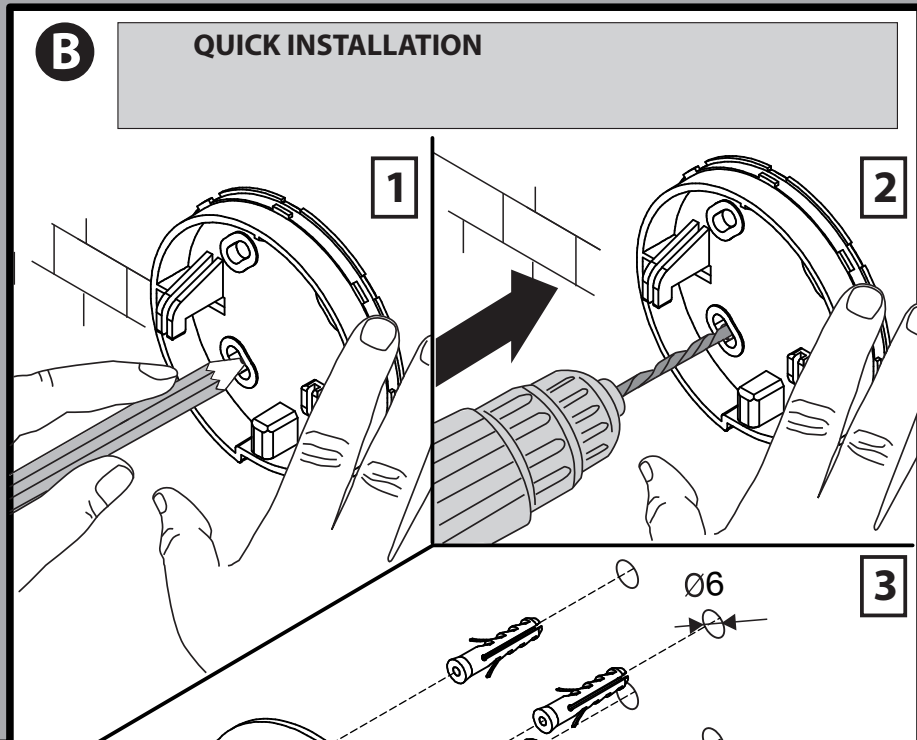
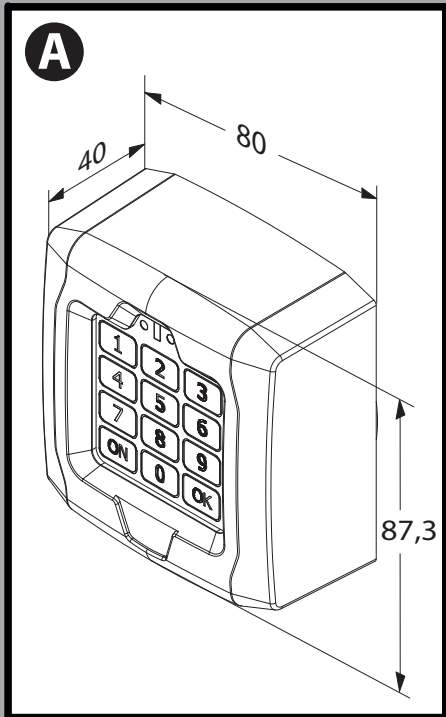
INSTALLATION MANUAL
INSTRUCTIONS

Q.BO TOUCH



AZIENDA CON SISTEMA DI GESTIONE
INTEGRATO CERTIFICATO DA DNV
= UNI EN ISO 9001:2008 =
UNI EN ISO 14001:2004

Caution! Read "Warnings" inside carefully!





MEMORIZING ON CONTROL UNIT

1

2

Timeout 20"

Digitare il codice:	1111,, 0000.
Key in code:	1111,, 0000.
Taper le code:	1111,, 0000.
Geben Sie den Code ein:	1111,, 0000.
Introducir el código:	1111,, 0000.
De code intoetsen:	1111,, 0000.

---> 1111= CH 1	---> 6666= CH 6
---> 2222= CH 2	---> 7777= CH 7
---> 3333= CH 3	---> 8888= CH 8
---> 4444= CH 4	---> 9999= CH 9
---> 5555= CH 5	---> 0000= CH 0

3

Timeout 20"

4

Control units with display

rAd lo → OK → AGG. StArt → OK →

Timeout 5 min.

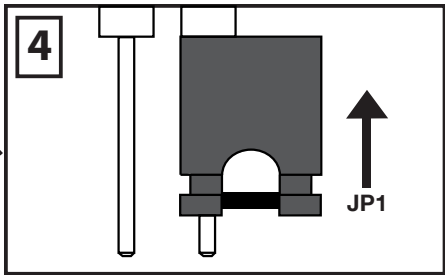
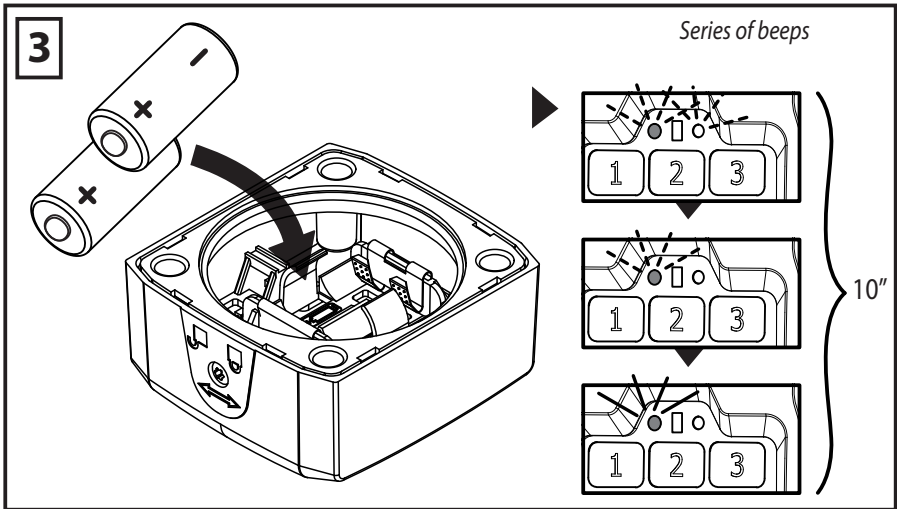
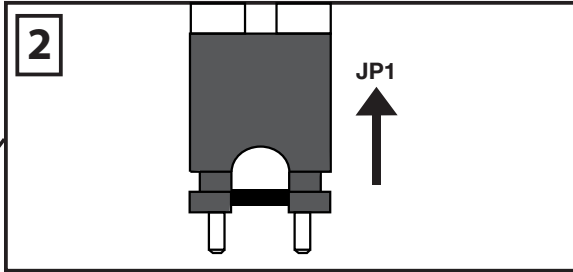
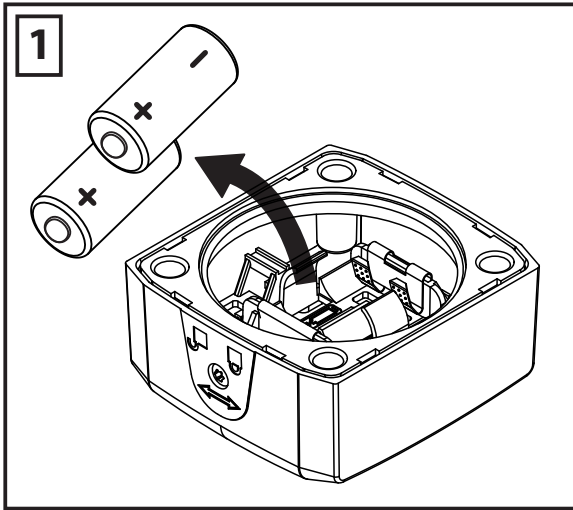
Receivers

Comply with the instructions relating to the receiver/control unit used!

5

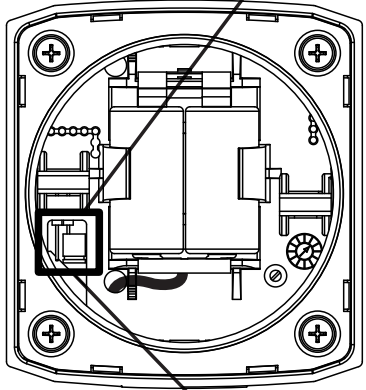
(beep x 2)

D TOTAL CANCELLATION OF CODES,



LED state: unlit.

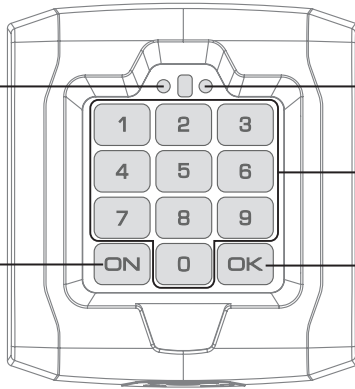
5 MEMORY CANCELLED



USER'S MANUAL

Green indicator LED

ON and Function key



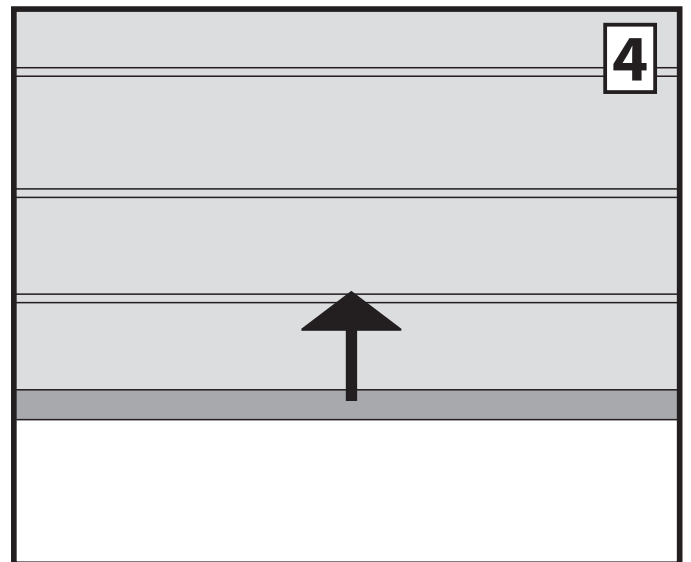
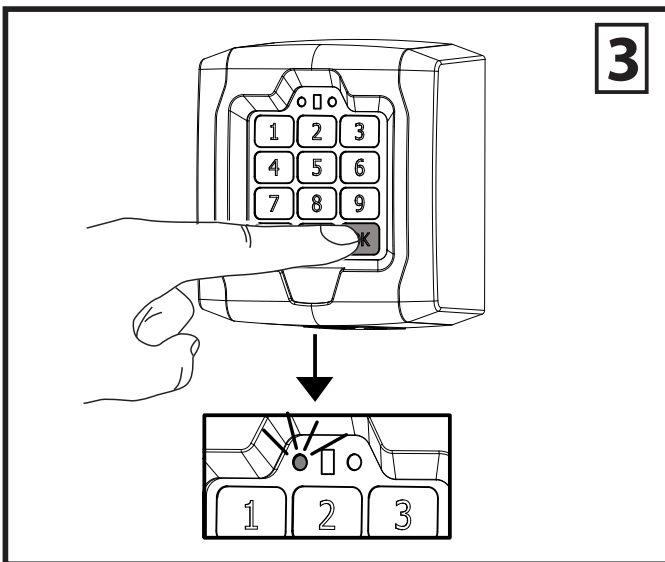
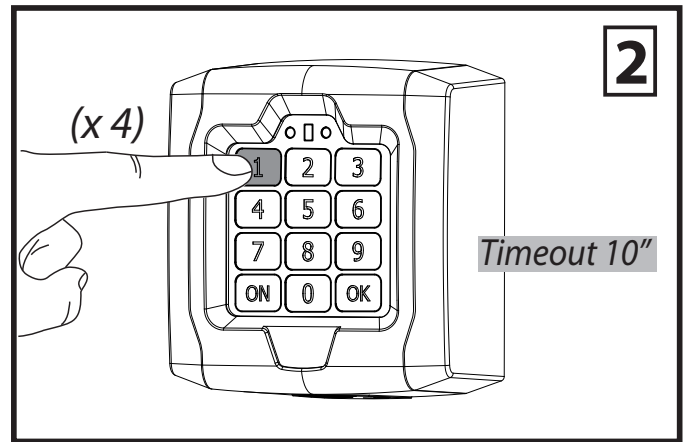
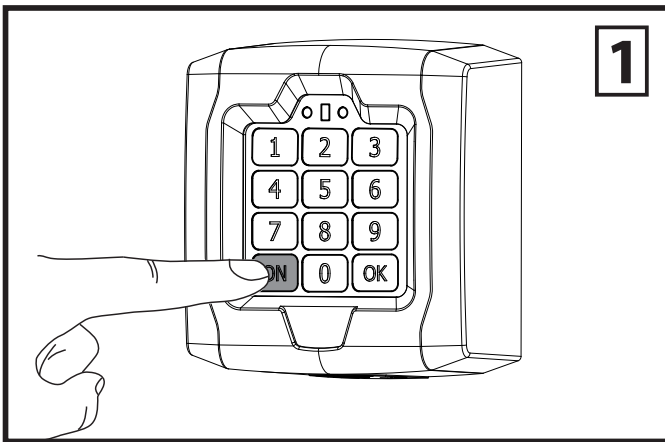
LED Anzeige rot/ LED señalización rojo

RED indicator LED/LED

Numerical keypad

Key to confirm operation

NORMAL USE

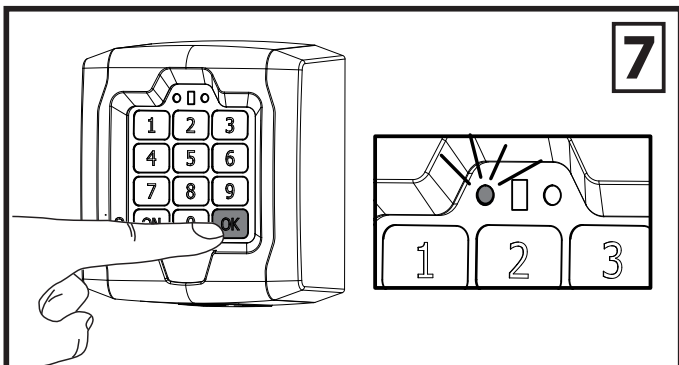
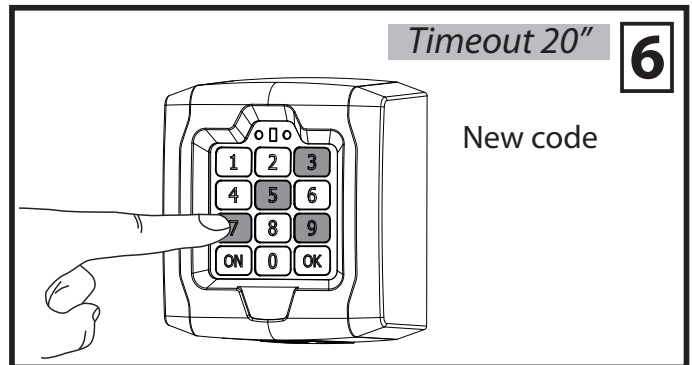
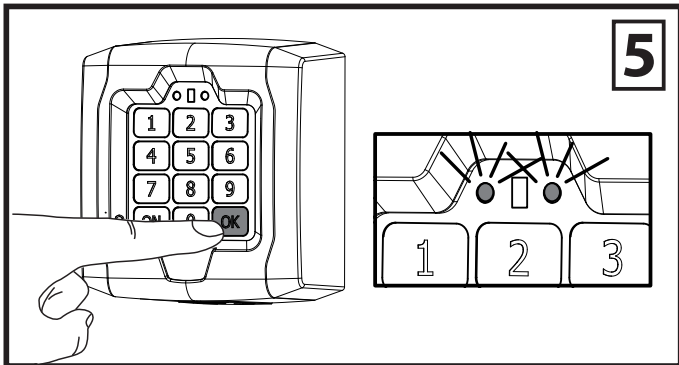
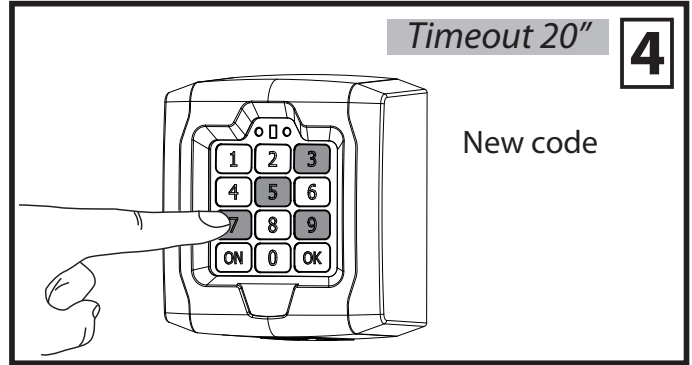
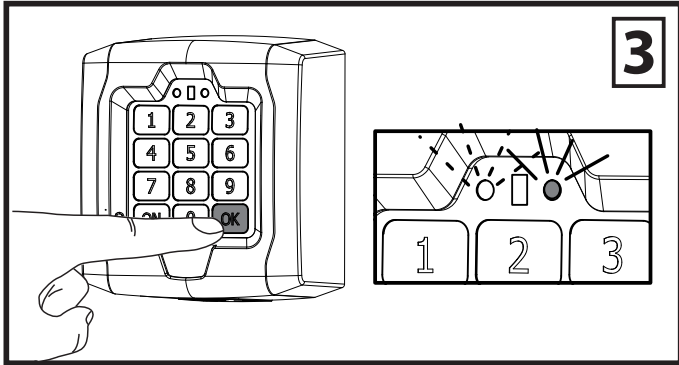
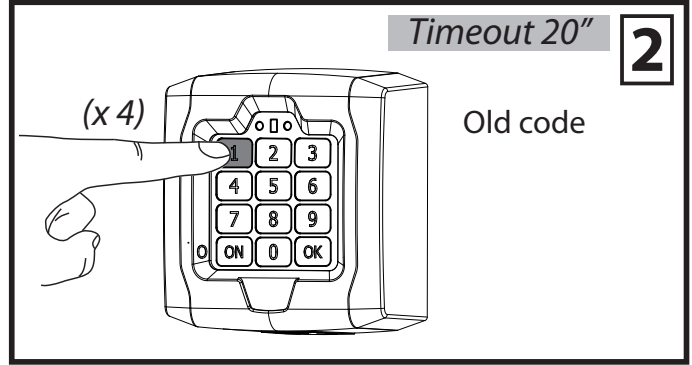
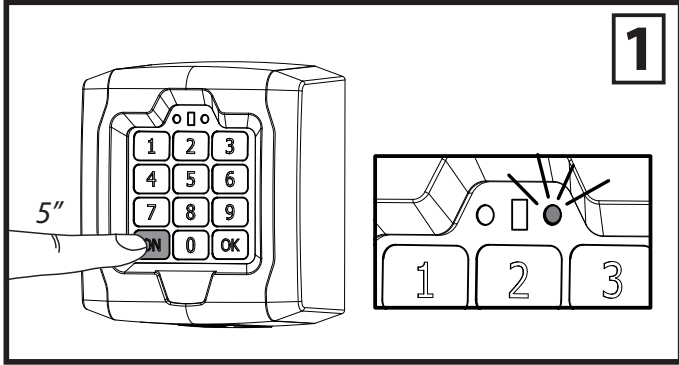


WARNING: Q.BO TOUCH will lockout after 3 consecutive incorrect codes are entered and will not accept further codes for 90 seconds. If another incorrect code is entered, Q.BO TOUCH will lockout at the first attempt.



CHANGING A CODE - CHANGE CODE

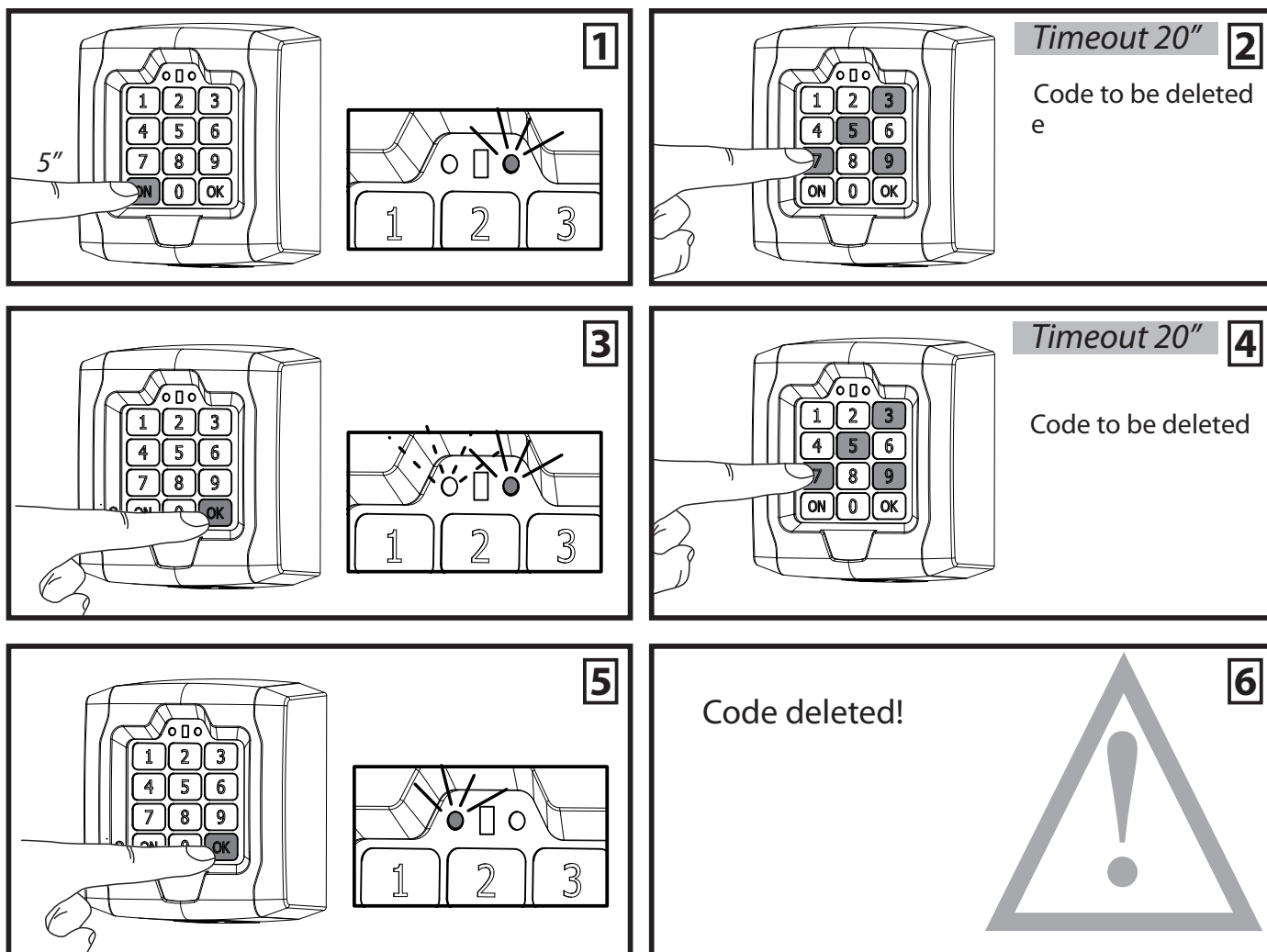
D812039 00100_02



WARNING: the code consists of a sequence of no less than 4 and no more than 7 digits (in the range 0 to 9). Do not use codes with all the same numbers. (e.g. codes like 2222, 3333, 4444, 0000 etc.).



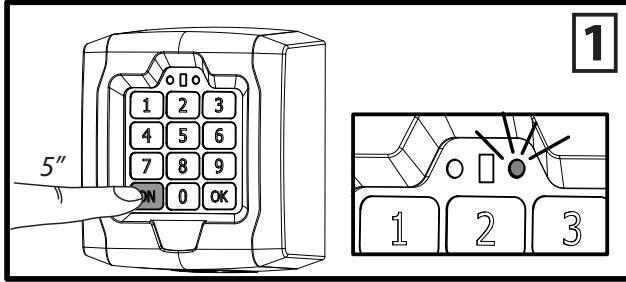
DELETING A CODE



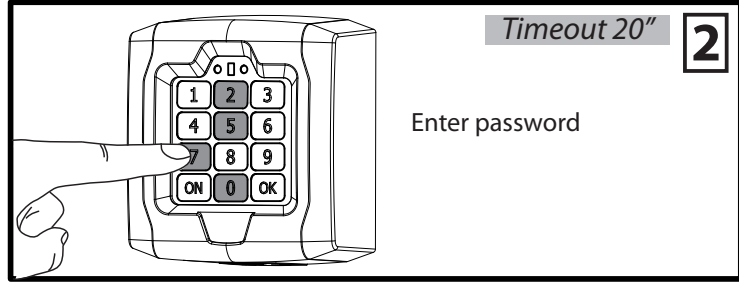
WARNING: if you delete the last code, you will no longer be able to activate the relevant control unit. To restore operation, you must perform the total deletion procedure to erase all codes and repeat installation from the beginning. It is advisable to delete the codes of channels that are not associated with anything (e.g. code 2222, 3333, 4444, 0000 etc. when using a single control unit).

ADDING A CODE

D812039 00100_02

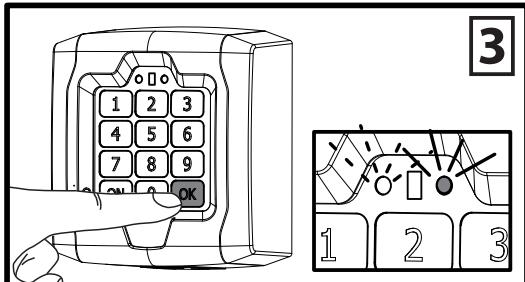


1

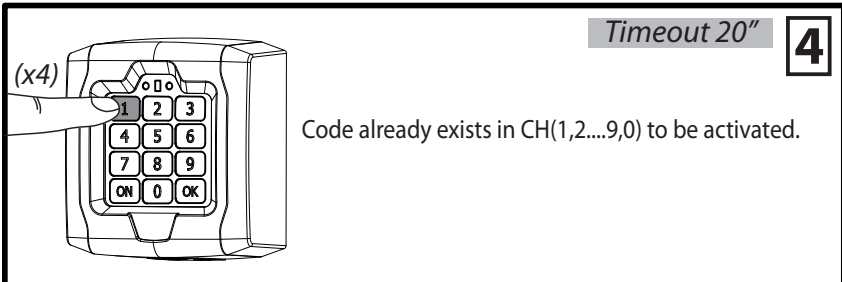


Timeout 20"

2

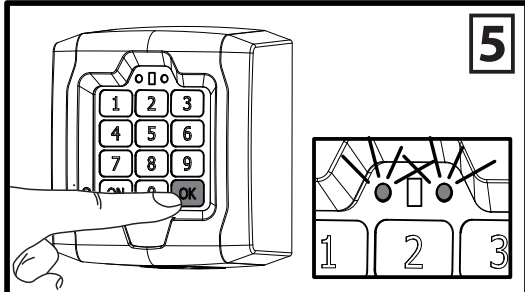


3

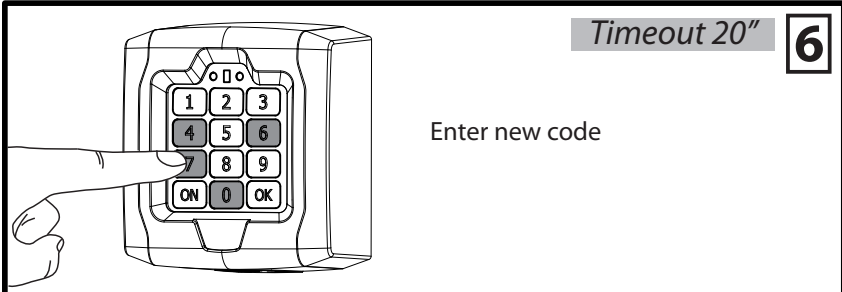


Timeout 20"

4

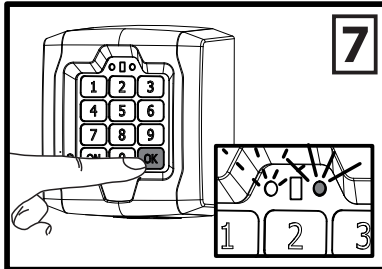


5

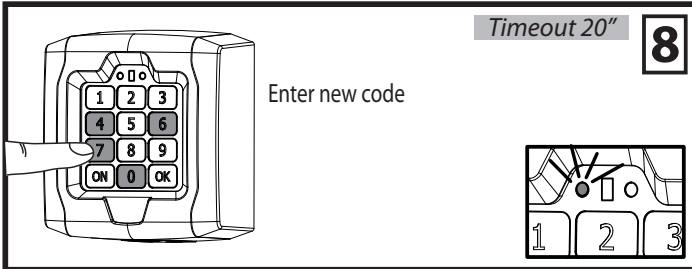


Timeout 20"

6

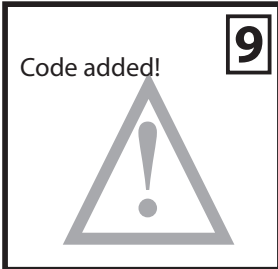


7



Timeout 20"

8



9

WARNING: To add a code, you need to know the system password. Q.BO TOUCH can handle up to 100 different codes. The new code will serve the same purpose as the existing code (activates the same channel).



CHANGING THE PASSWORD

1

5"

Timeout 20" **2**

Enter old password

3

Timeout 20" **4**

Enter old password

5

Timeout 20" **6**

Enter new password

7

Timeout 20" **8**

Enter new password

9

Password changed!

DEFAULT PASSWORD:

.....1234

NEW PASSWORD:

.....

