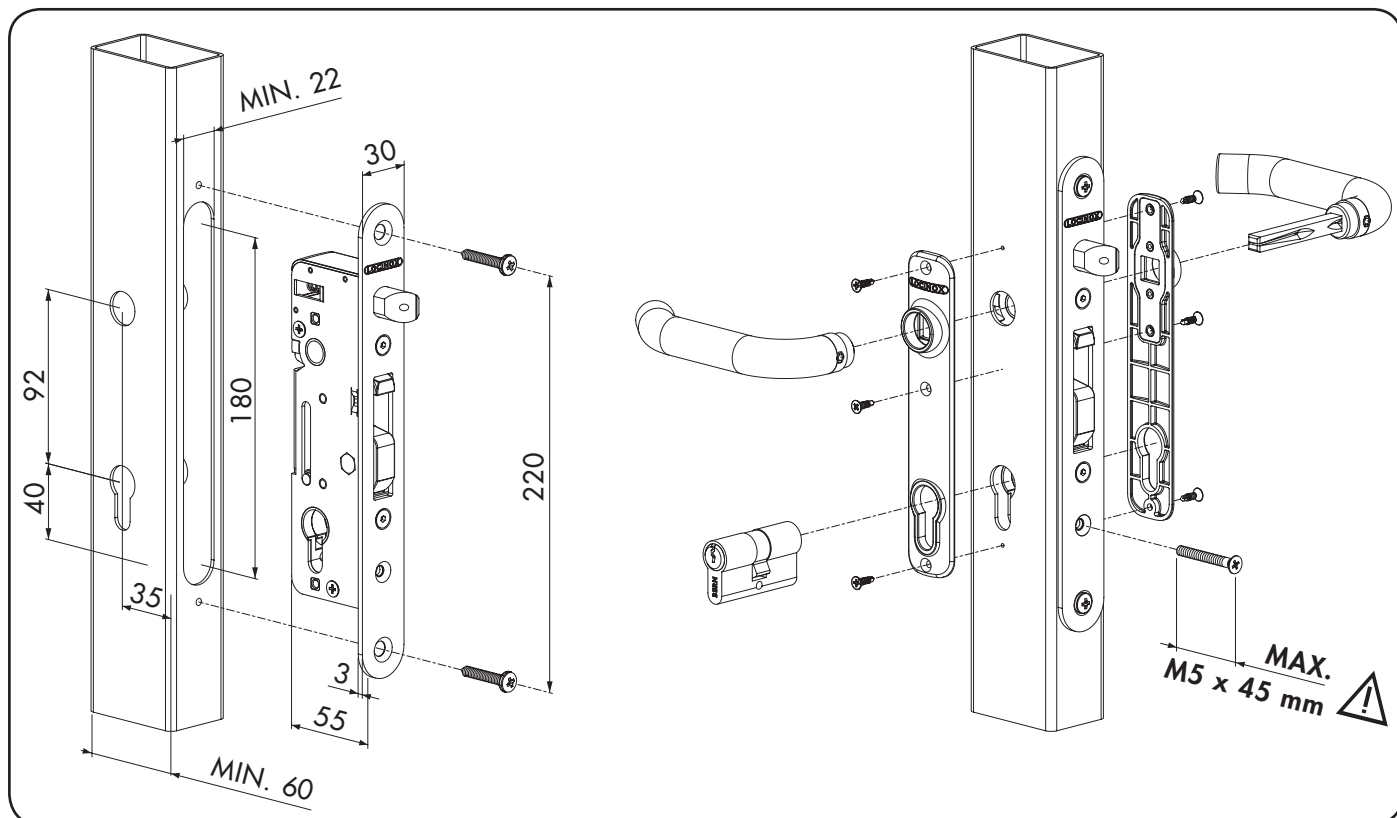
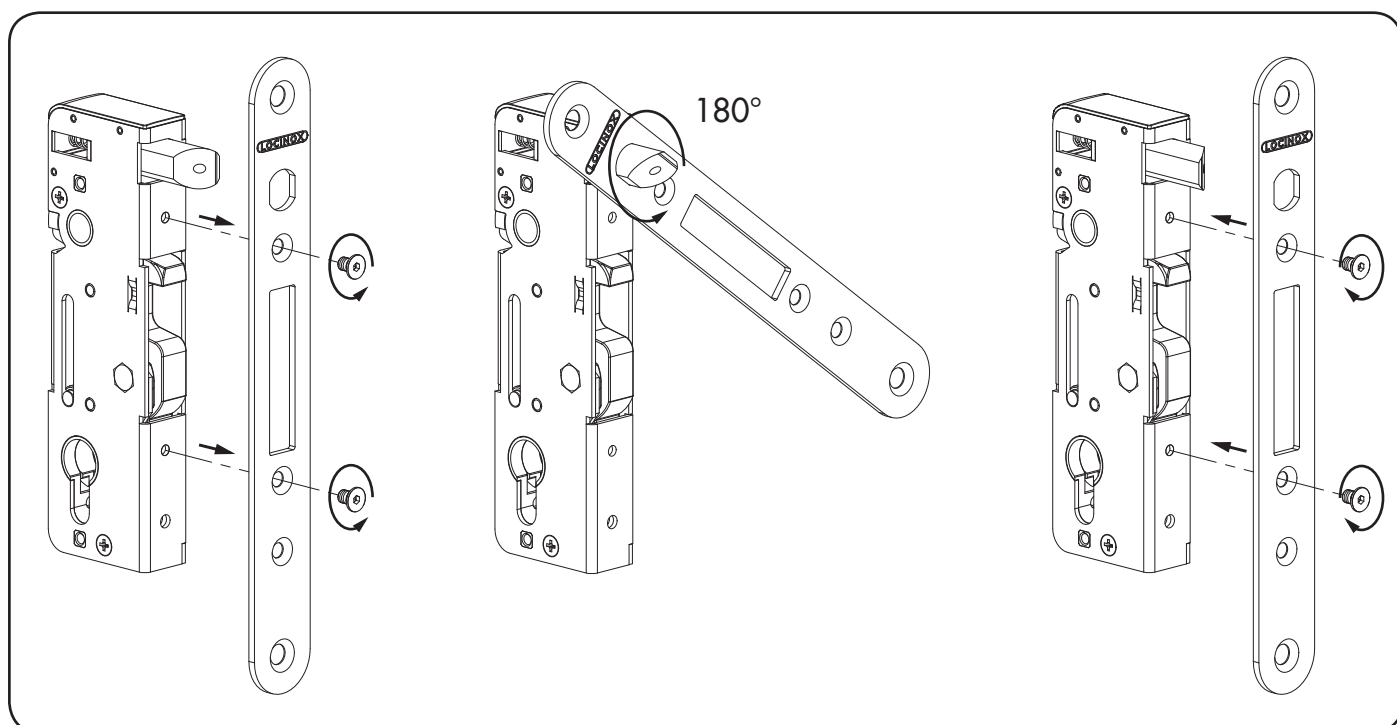


CODE: H-METAL

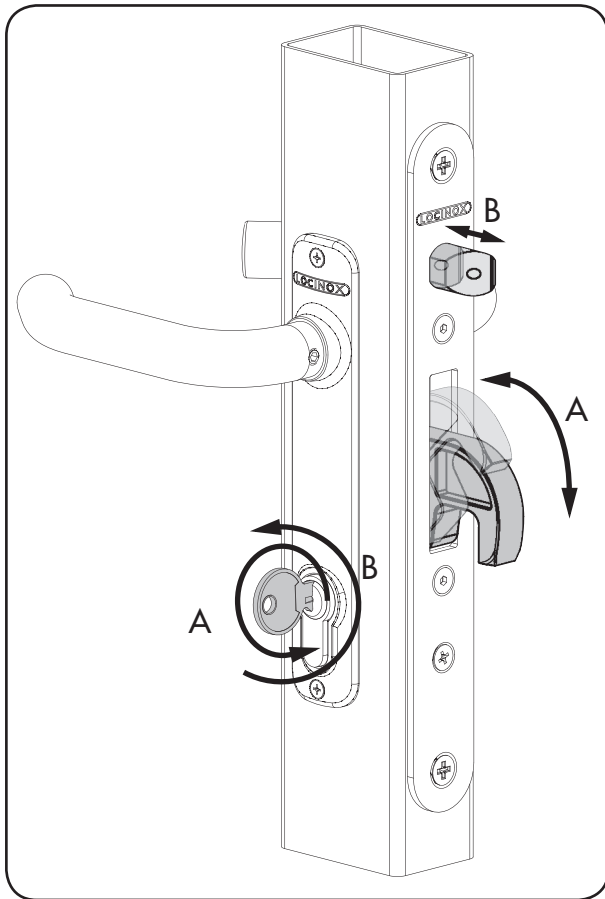
① Explosion & Dimensions



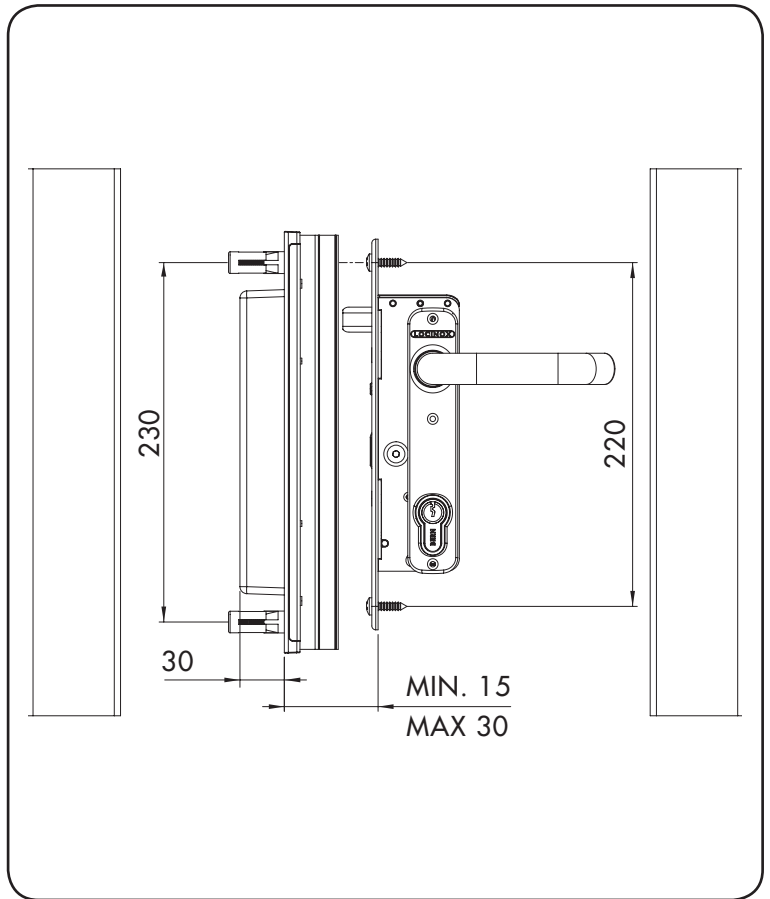
② Left / right changing



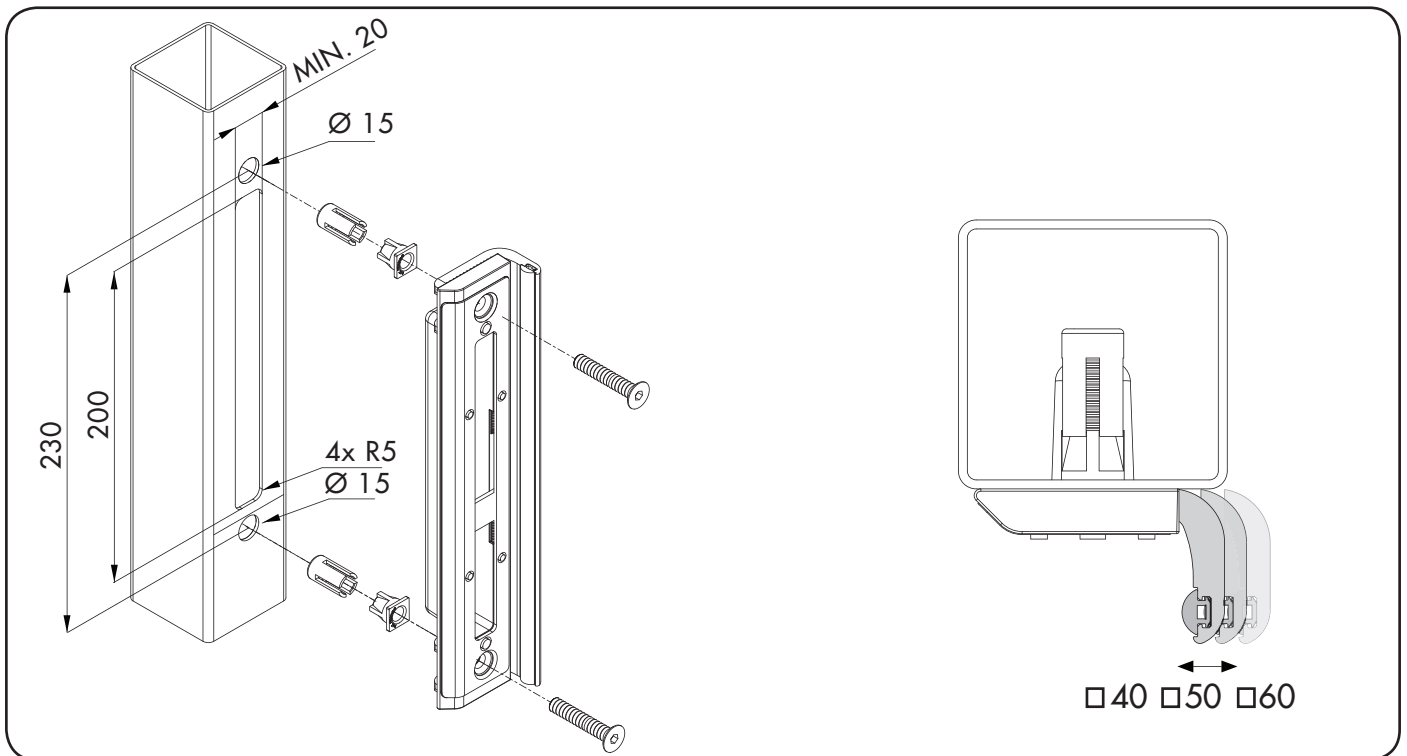
③ Key operated (B) & Throw (A)



④ Hybrid lock & keep



⑤ SHKM QF: Hybrid keep - Dimensions & profile adjustment



LOCINOX[®]
Let's make better fences together

GatesPlus

1300 121 666

www.gatesplus.com.au