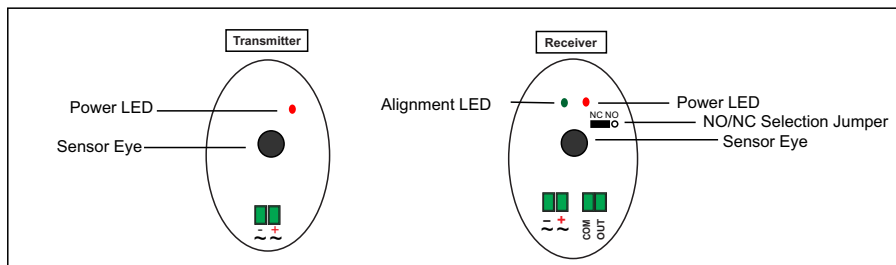


# (((APC))) Automation Systems

## APC-PE2000 Photo Electric Sensor

### Specifications:

Technology: Active Infrared Beam  
 Operational Distance: 15m (May be reduced by up to 30% in bad weather such as rain)  
 Frequency: 1.92KHz  
 Wave Length: 940nm  
 Power: 12V-24V AC/DC  
 Consumption: Rx 15mA Tx 30mA  
 Relay Output: 36v 1A  
 Dimensions: 49x76x21mm



### Alignment LED

The green alignment LED will be ON whilst the receiver is not aligned correctly with the transmitter OR there is an obstacle or obstruction between the transmitter and receiver.

**NOTE:** When the sensor is used with APC Smart control boards such as CBSW and CBSG controllers the voltage output for the photo sensor will only be active whilst the gate(s) is in closing mode. The sensors can be wired into the constant voltage output for installation and alignment but must be wired into the photo electric sensor voltage output when completed to minimize the current draw.

### NO/NC Setting

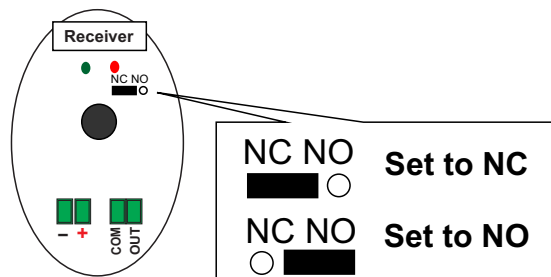
DEFAULT SETTING: NC

The photo electric sensor has two available modes of operation for its circuit NO and NC, changing between these modes can be performed easily by adjusting the selection jumper found on the top of the receiver to link the center pin with either NC or NO.

### APC Control Boards Using NC Circuit (Default)

- CBSW-12 (All Versions)
- CBSW-24 (All Versions)
- CB12 (All Versions)
- CB12-4CH (All Versions)
- CBSG12-4CH (All Versions)
- CB-SGH-12
- CB-SGH-24
- CB-SGX-12
- CB-SGX-24
- SG-800AC
- SG-1500AC
- SG-1400AC
- CB-SG12 (All Versions)
- CB-SG24 (All Versions)

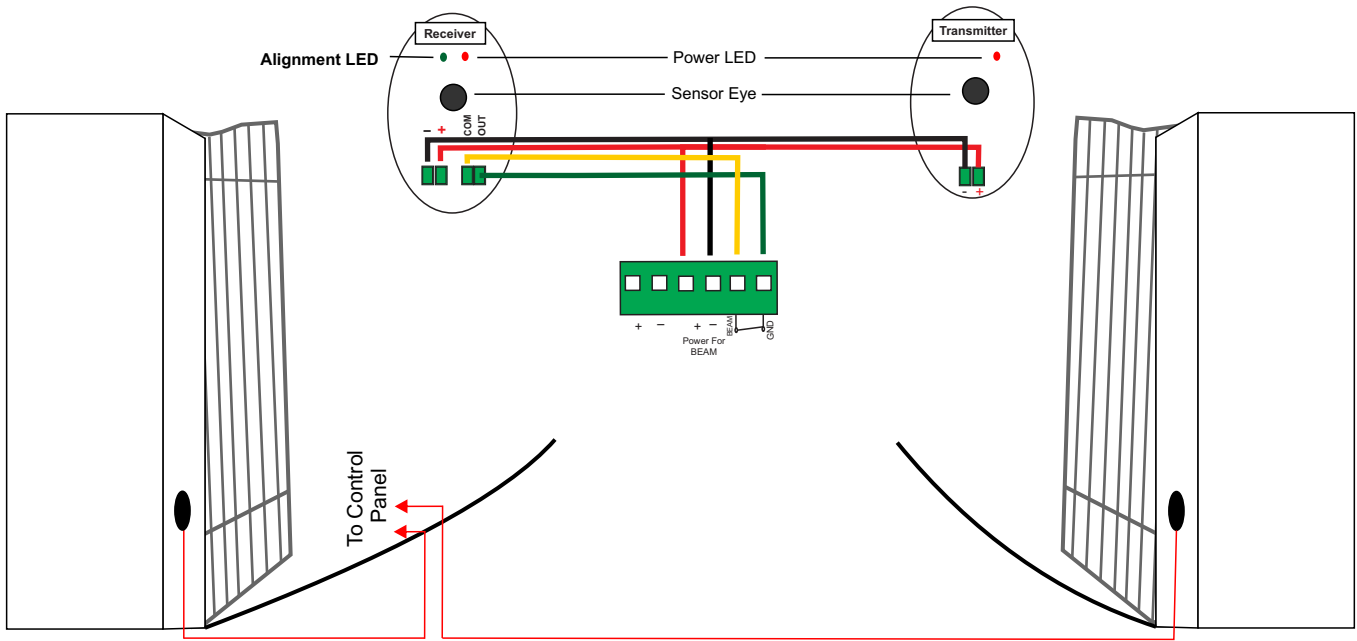
- APC Control Boards Using NO Circuit**
- BG-SA



### Installation Height

The installation height of the sensors should be at an absolute minimum of 200mm off the ground. A recommended minimum of 500mm of the ground is generally appropriate as a vehicle panels would generally interrupt the sensors. If the majority of vehicles passing through the gates are higher/lower install accordingly.

## Connecting a Single PE Sensor for Entry



## Connecting Dual PE Sensors for Entry & Exit

Connect Dual PE Sensors (inside and outside) in Series for maximum protection for occupants and vehicles. Unlike connecting a single sensor set (outside) the dual sensor will detect vehicles entering AND exiting.

