

**GatesPlus**

incorporating  
**Tigerlink Hardware**

www.gatesplus.com.au  
1300 121 666

**D**® **D&D Technologies**  
Hi-Performance Hardware

*The world's best gate hinges & locks  
just got better!*





Black trim



Chrome trim



Brushed trim

### LokkLatch® MAGNETIC

is the world's first gate lock designed specifically for gates that provides finishes typically only found on door locks. Eliminates the use of inappropriate locks designed for internal use. Our new finishes can be matched to your fence and other hardware....without corrosion.

#### Features:

- D&D-patented magnetic latching
- No visible fasteners
- Optional decorative handle trims
- Dual, 6-pin re-keyable locks
- Intuitive PUSH/PULL action
- Fits most square-post gate and fence posts from 38mm to 150mm deep
- Vertical & horizontal adjustment
- Super-strong engineering polymers and stainless steel components

#### Benefits:

- Locks and unlocks from both sides of the gate
- Complements modern gates
- Peace-of-mind gate security
- Ergonomic, one-handed operation
- Fits metal and wood gates
- Consistent, reliable operation
- Co-ordinates with TruClose® hinges
- Contractors and resellers only need to stock one lock



Limited Lifetime Warranty  
on all D&D-manufactured products



*More than a latch, it's a lock!*



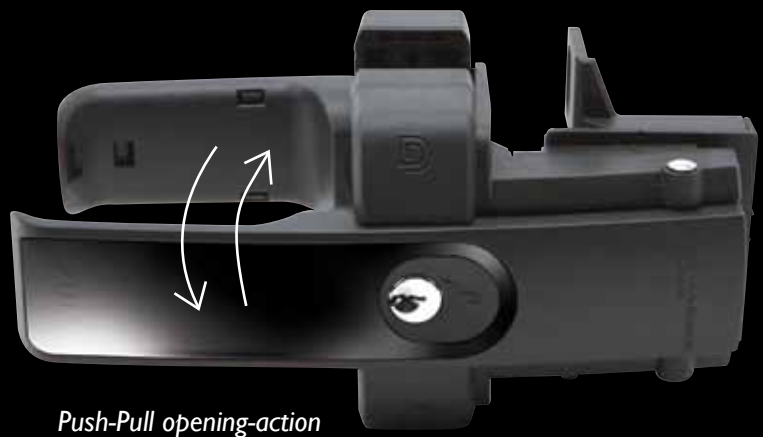
Black trim shown

**Optional Black, Brushed or  
Chrome metallic-finish trim**  
**No visible fasteners**

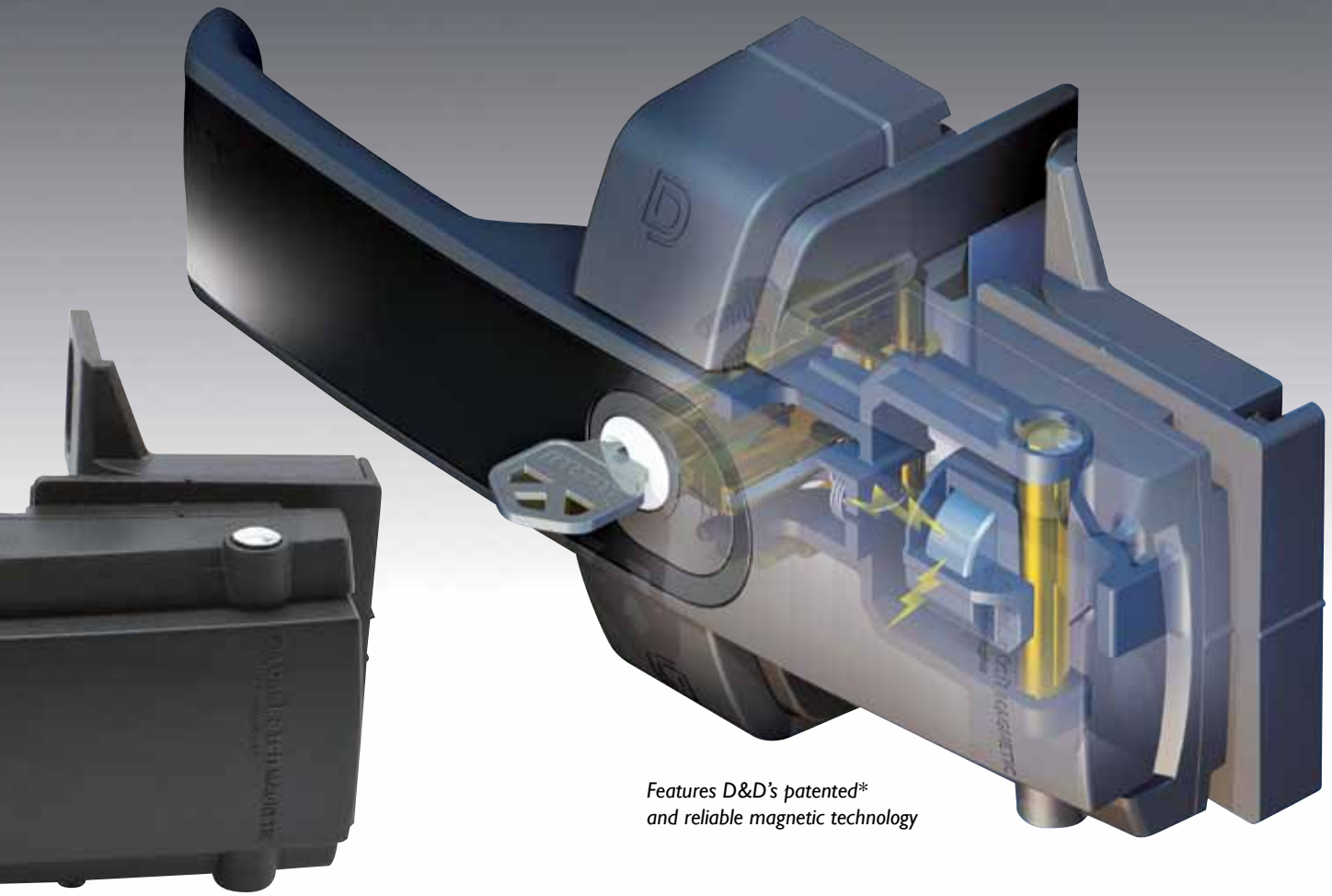
**GatesPlus**  
incorporating  
**Tigerlink Hardware**  
www.gatesplus.com.au  
1300 121 666



Key-lockable External Access Kit



Push-Pull opening-action



Features D&D's patented\* and reliable magnetic technology



Ideal for Colorbond® gates



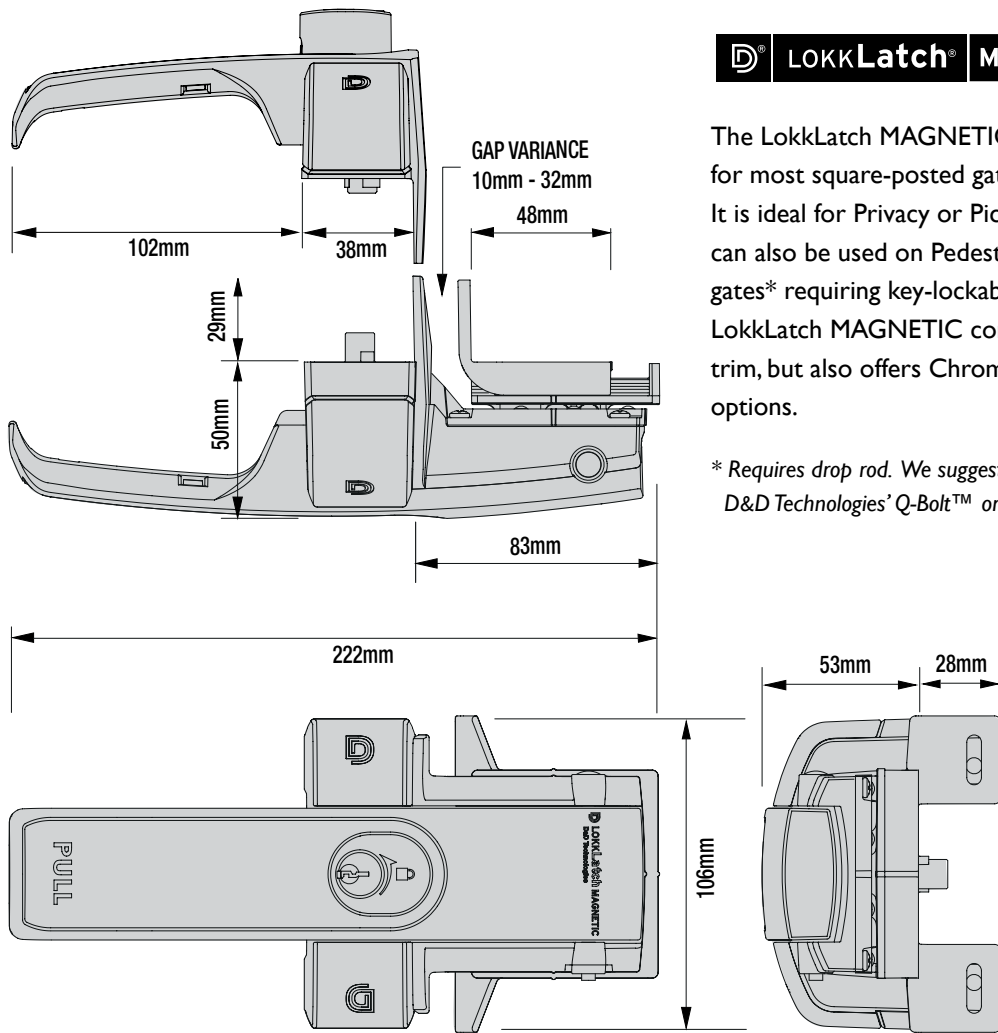
Ideal for aluminium gates

**GatesPlus**  
incorporating  
**Tigerlink Hardware**  
www.gatesplus.com.au  
1300 121 666

Chrome

Brushed

Black



**D** LOKK**Latch**® MAGNETIC

The LokkLatch MAGNETIC gate lock is designed for most square-posted gates and fences. It is ideal for Privacy or Picket-style gates and can also be used on Pedestrian and Double Drive gates\* requiring key-lockable security. LokkLatch MAGNETIC comes standard with Black trim, but also offers Chrome and Brushed trim options.

\* Requires drop rod. We suggest either D&D Technologies' Q-Bolt™ or LokkBolt™.

LokkLatch MAGNETIC has been cleverly designed to hide fasteners behind stylish dress-caps, which simply slide into position and lock into place.

