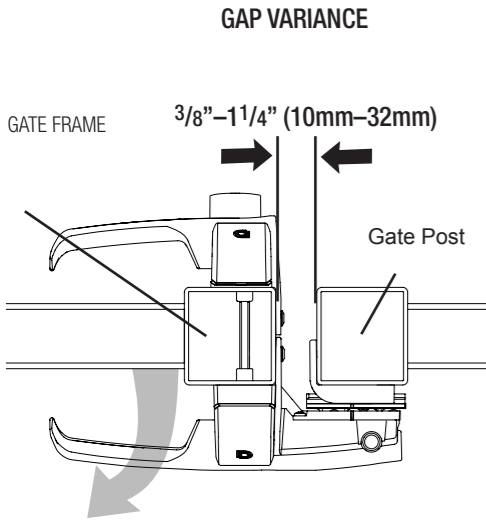


! Not suitable for child safety gates - Use MagnaLatch instead.



1 FIT THE TRIM COVERS

! Trim covers cannot be removed once fitted.

2 INSERT PUSH ROD FIRMLY INTO HOUSING UNTIL GROOVE IS ALIGNED WITH HOUSING

6 Use file to ensure push rod is square and does not extend beyond post more than 3/16\" (5mm).

3 DRILL PUSH-ROD THROUGH-HOLE INTO GATE

! #2 Refer to **B** on back page

! * Refer to **A** on back page

Ensure hole through gate is level

4 FASTEN LATCH TO GATE

5 SAW PUSH-ROD FLUSH WITH FITTING JIG

! Do NOT cut push-rod at an angle

7 INSTALLING EXTERNAL ACCESS KIT (EAK)

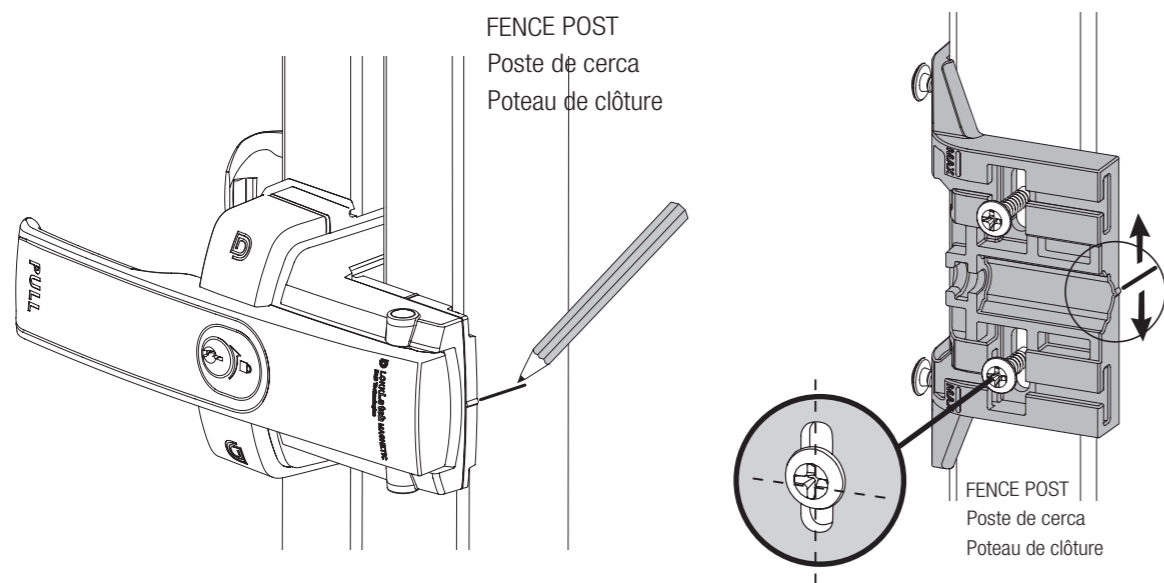
Ensure housing is in vertical position before fitting the Push Rod.

8 ALIGN AND FASTEN THE EAK

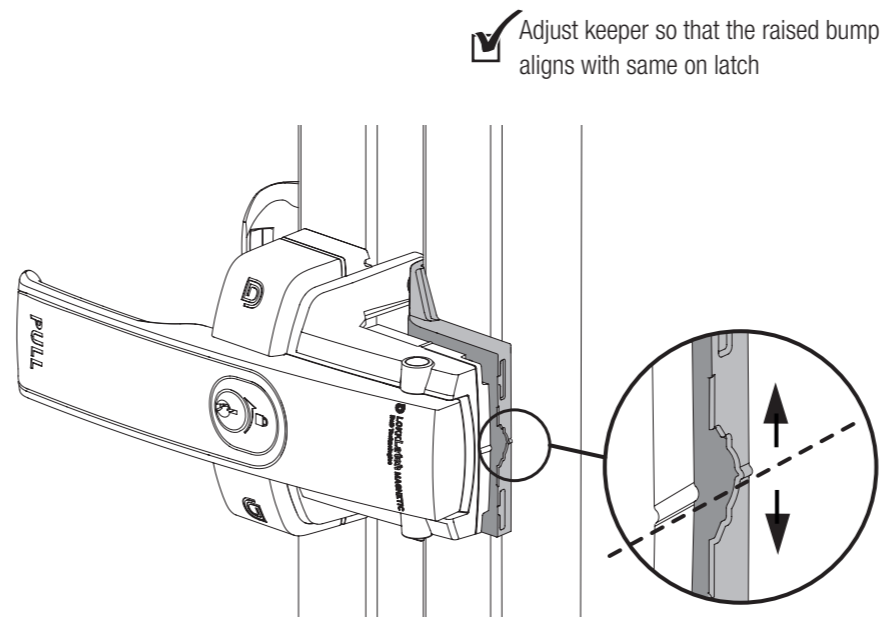
! Firmly tighten screws on all components.

8 INSERT DRESS CAPS

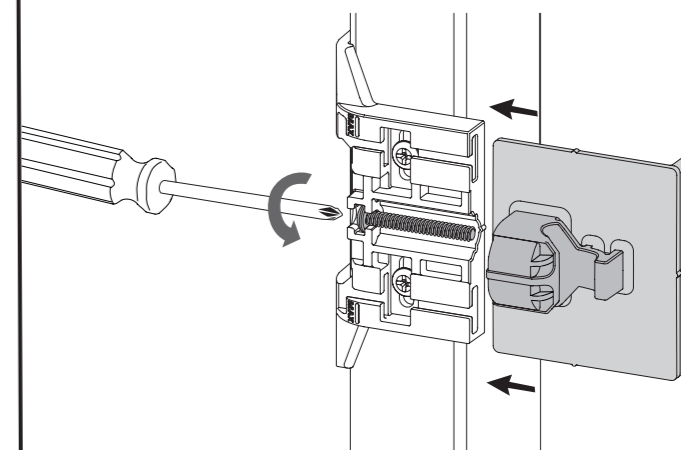
9 MARK AND INSTALL KEEPER TO POST



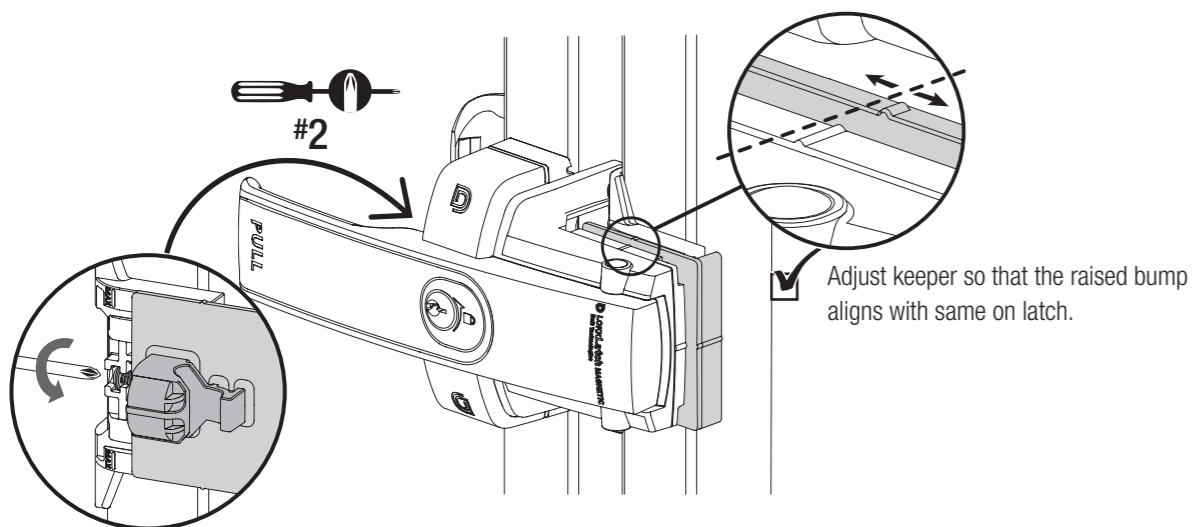
10 CHECK VERTICAL ALIGNMENT



11 WIND SCREW TO JOIN COMPONENTS

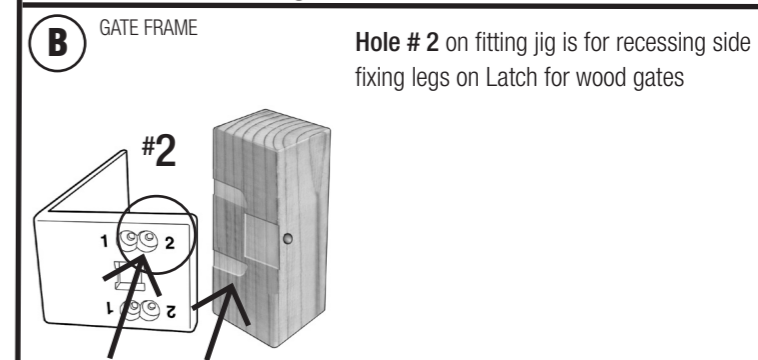
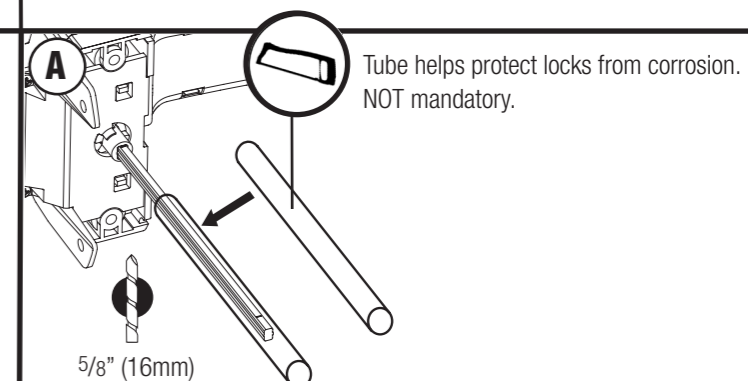
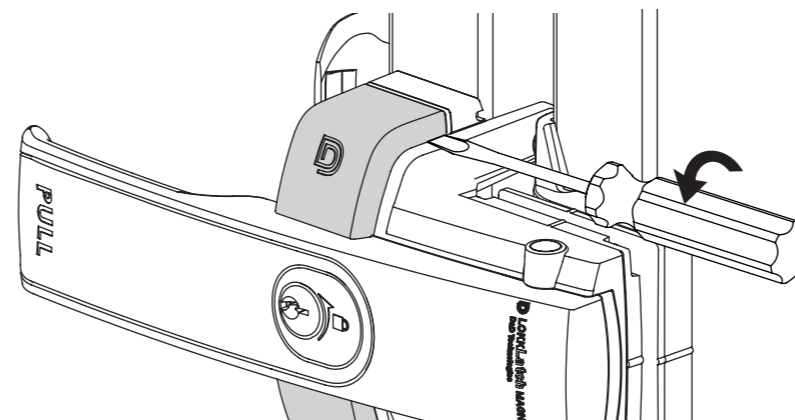


12 CHECK HORIZONTAL ALIGNMENT



Removing Screw Covers (if necessary)

1. Insert blade horizontally underneath cover
2. Twist screwdriver and remove
3. See **Step 8** to replace



MAINTENANCE: REMOVE KEY FROM LOCK AFTER USE. Do not lubricate with petroleum-based products. Ensure all screws are tightened firmly and that the latch is kept free of ice, dirt and other debris which could impair performance. Periodic horizontal and/or vertical adjustment may be required.

Available from - GatesPlus - www.gatesplus.com.au

